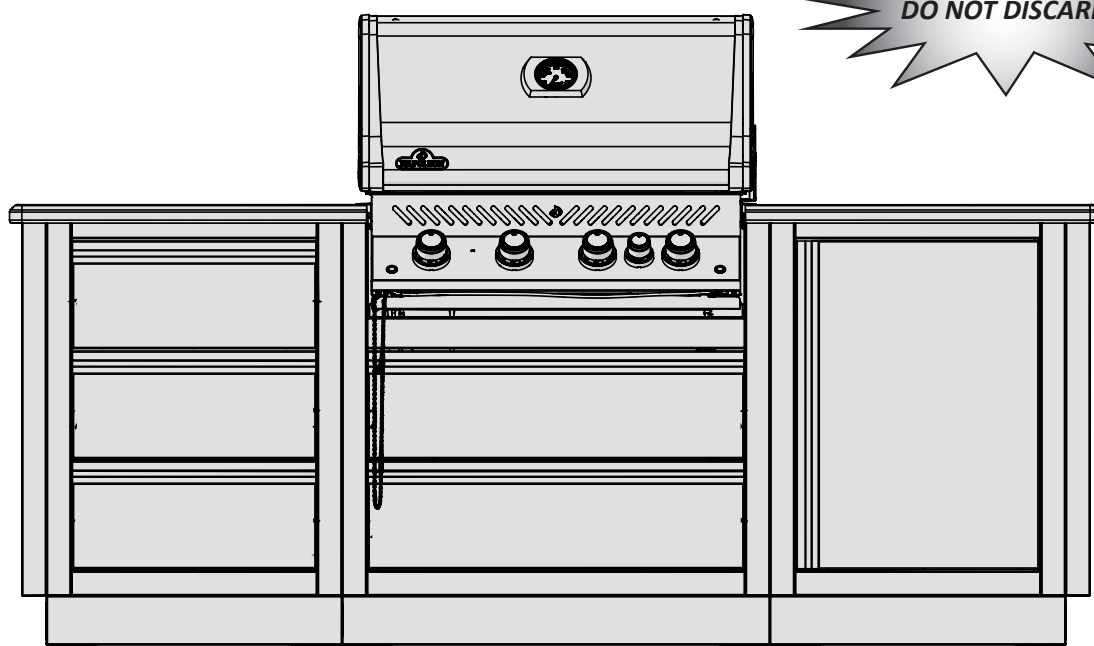
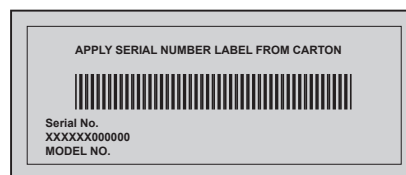




EN

FR  
PG.17



## MODULAR CABINET ASSEMBLY INSTRUCTIONS

Use this manual in conjunction with your main manual to properly assemble your built-in grill. Refer to the main manual for operating, cleaning, and maintenance instructions. This grill is designed for **NON-COMBUSTIBLE** enclosures only, and must be installed and serviced by a qualified installer to local codes.

**RETAIN THIS MANUAL FOR FUTURE REFERENCE.**

Wolf Steel Ltd.  
214 Bayview Drive,  
Barrie, Ontario, CANADA L4N 4Y8  
[grills@napoleonproducts.com](mailto:grills@napoleonproducts.com)

Wolf Steel Europe BV  
Poppenbouwing 29-31, 4191 NZ Geldermalsen,  
CCI No. 51509970, THE NETHERLANDS  
[info@napoleongrills.nl](mailto:info@napoleongrills.nl)



# Napoleon President's 10 Year Limited Warranty



NAPOLEON products are designed with superior components and materials, and are assembled by trained craftsmen who take great pride in their work. This product has been thoroughly inspected by a qualified technician before packaging and shipping to ensure that you, the customer, receive the quality product you expect from NAPOLEON.

NAPOLEON warrants that components in your new NAPOLEON product will be free from defects in material and workmanship from the date of purchase, for the following period:

Aluminum castings / stainless steel base .....	<b>10 years</b>
Stainless steel tube burners .....	<b>10 years</b>
Ceramic infrared burners (excluding screen) .....	<b>5 years full coverage, plus 50% off until the 10th year</b>
Stainless steel lid, door and drawer panels .....	<b>5 years full coverage, plus 50% off until the 10th year</b>
Porcelain-enameled cast iron cooking grids .....	<b>5 years full coverage, plus 50% off until the 10th year</b>
Stainless steel or porcelain sear plates .....	<b>5 years full coverage, plus 50% off until the 10th year</b>
Hinges, slides and enclosures .....	<b>3 years full coverage, plus 50% off until the 10th year</b>
All other parts .....	<b>2 years</b>

**\*Conditions and Limitations**

This Limited Warranty creates a warranty period as specified in the aforementioned table, for any product purchased through an authorized NAPOLEON dealer, and entitles the original purchaser to the specified coverage in respect of any component replaced within the warranty period, either by NAPOLEON or an authorized NAPOLEON dealer, to replace a component of such product that has failed in normal private use as a result of a manufacturing defect. The "50% off" indicated in the table means the component is made available to the purchaser at a 50% discount off the regular retail price of the component for the period indicated. This Limited Warranty does not cover accessories or bonus items.

For greater certainty, "normal private use" of a product means that the product: has been installed by a licensed, authorized service technician or contractor, in accordance with the installation instructions included with the product and all local and national building and fire codes; has been properly maintained; and has not been used as a communal amenity or in a commercial application.

Similarly, "failure" does not include: over-firing, blow outs caused by environmental conditions such as strong winds or inadequate ventilation, scratches, dents, corrosion, deterioration of painted and plated finishes, discoloration caused by heat, abrasive or chemical cleaners or UV exposure, chipping of porcelain enameled parts, or damages caused by misuse, accident, hail, grease fires, lack of maintenance, hostile environments such as salt or chlorine, alterations, abuse, neglect or parts installed from other manufacturers.

Should deterioration of parts occur to the degree of non-performance (rusted through or burnt through) within the duration of the warranted coverage, a replacement part will be provided. The replacement component is the sole responsibility of NAPOLEON defined by this Limited Warranty; in no event will NAPOLEON be responsible for installation, labor or any other costs or expenses related to the re-installation of a warranted part, for any incidental, consequential, or indirect damages or for any transportation charges, labor costs or export duties.

This Limited Warranty is provided in addition to any rights afforded to you by local laws. Accordingly, this Limited Warranty imposes no obligation upon NAPOLEON to keep parts in stock. Based on the availability of parts, NAPOLEON may at its discretion discharge all obligations by providing a customer a prorated credit towards a new product. After the first year, with respect to this Limited Warranty NAPOLEON may, at its discretion, fully discharge all obligations with respect to this warranty by refunding to the original warranted purchaser the wholesale price of any warranted but defective part(s).

The bill of sale or copy will be required together with a serial number and a model number when making any warranty claims from NAPOLEON. NAPOLEON reserves the right to have its representative inspect any product or part prior to honoring any warranty claim. You must contact NAPOLEON Customer Service or an authorized NAPOLEON dealer to obtain the benefit of the warranty coverage.



napoleongrills.com

## PLANNING YOUR NAPOLEON MODULAR OUTDOOR ISLAND

The Napoleon Outdoor Modular Island series has been developed with versatility in mind. The cabinets can be assembled in virtually any combination to suit your individual needs. They can be assembled against a house wall or as a standalone island, becoming the focal point of your backyard. With multi-function and storage capabilities, your backyard island can be transformed into an outdoor kitchen, placing the host in the center of the action when entertaining guests.

The cabinets are designed to be easy to assemble and install for either the home owner or private contractor. All cabinets are 35" (889 mm) tall by 24" (610 mm) deep. All cabinets are 24" (610 mm) wide except for the BUILT-IN grill cabinets whose width correspond to the width of the unit it was designed for. The temperature control is located at the back of the fridge. The cabinet has a removable panel which allows access to the temperature control. Ensure that there is access to the panel when the cabinet is installed. Each cabinet has 4 leveling feet for adjustment on even surfaces. The 2 drawer cabinets are made to fit the Napoleon BUILT-IN series of grills only, available in several different sizes. BUILT-IN grills come in several different sizes. Refer to the installation manuals that come with the grill head for proper installation and operating instructions.

The BUILT-IN series of grills can be ordered in your choice of propane or natural gas configuration. Natural gas is an obvious selection for many people that already have it available in their home. All gas modifications or installations must be done by a qualified gas installer. Knockouts are present in the side and rear panels for easy piping and installation. For those who order a propane grill, a propane tank cabinet is available.

The cabinets can be installed against a **NON-COMBUSTIBLE** wall of a house, a masonry or stucco half-wall, or freestanding in an island configuration. Ensure there is adequate ventilation behind the fridge cabinet – a minimum gap of 6" (150mm) is required between the back of the cabinet and adjacent structures. Never block the vents located on the back of the cabinet. Failure to do so can result in the fridge overheating. An optional 4" (102 mm) spacer panel must be purchased and installed when placing an island against a wall to allow clearance for the grill lid to open. The spacer also provides closure for the cabinet to prevent debris or rodents from entering behind the cabinets. A powdercoated, 2" (51 mm) wide end panel can be purchased to cover the knockouts and mounting holes in the outside panels in a run of cabinets, giving a more finished look.

When utilizing 45° and 90° transitions in your design, modules on either side of the transition need to be chosen carefully. If doors or drawers are used on either side of the transition, they will interfere with each other when opened. If a drawer module is placed next to a grill, the control panel on the grill will prevent the top drawer from opening. The same applies to the paper towel/garbage module. Door modules can be used with 45° transitions, but the control panel will prevent the door from fully opening and may damage the door. The best module for this application is the 2 drawer module (false drawer at the top).

Optional built-in sideburner kits are available through your Napoleon Gas Grill dealer. These sideburner kits are an excellent complement to the BUILT-IN series of grills. We recommend that the sideburner kit be installed over top of the IM-2DC cabinet. It has the false drawer front at the top of the cabinet which allows clearance for the sideburner valve and hose routing. The IM-2DC cabinet also provides the necessary clearance for those who would like to install a sink in their outdoor kitchen.

Countertops must be ordered and supplied locally by the homeowner. The countertop material must be **NON-COMBUSTIBLE** if a grill is to be installed into it. They can be ordered in advance by drawing out the floorplan of how the cabinets will be situated and adding up the width measurements, allowing 1-2 inches (25 mm-51 mm) of countertop overhang. Most countertop manufacturers are willing to come and take measurements after assembly of the cabinets is complete to ensure a perfect fit.



**The built-in grillhead comes with stainless steel brackets and hardware that allow the unit to rest on the countertop above the corresponding island cabinet for that unit. Granite or Corian are excellent choices of countertop materials. In order for the drip pan to slide in and out properly, the grill head must be supported by a countertop with a thickness between ½" (13mm) and 1 ½" (38mm).**

Decorative countertops made of ceramic tile set on top of cement tiling board can be made to match your surrounding backyard furniture colors.



**WARNING!** This product can expose you to chemicals including nickel, which are known to the State of California to cause cancer, and chemicals including bisphenol A, which are known to the State of California to cause birth defects or other reproductive harm. For more information go to [www.P65Warnings.ca.gov](http://www.P65Warnings.ca.gov).

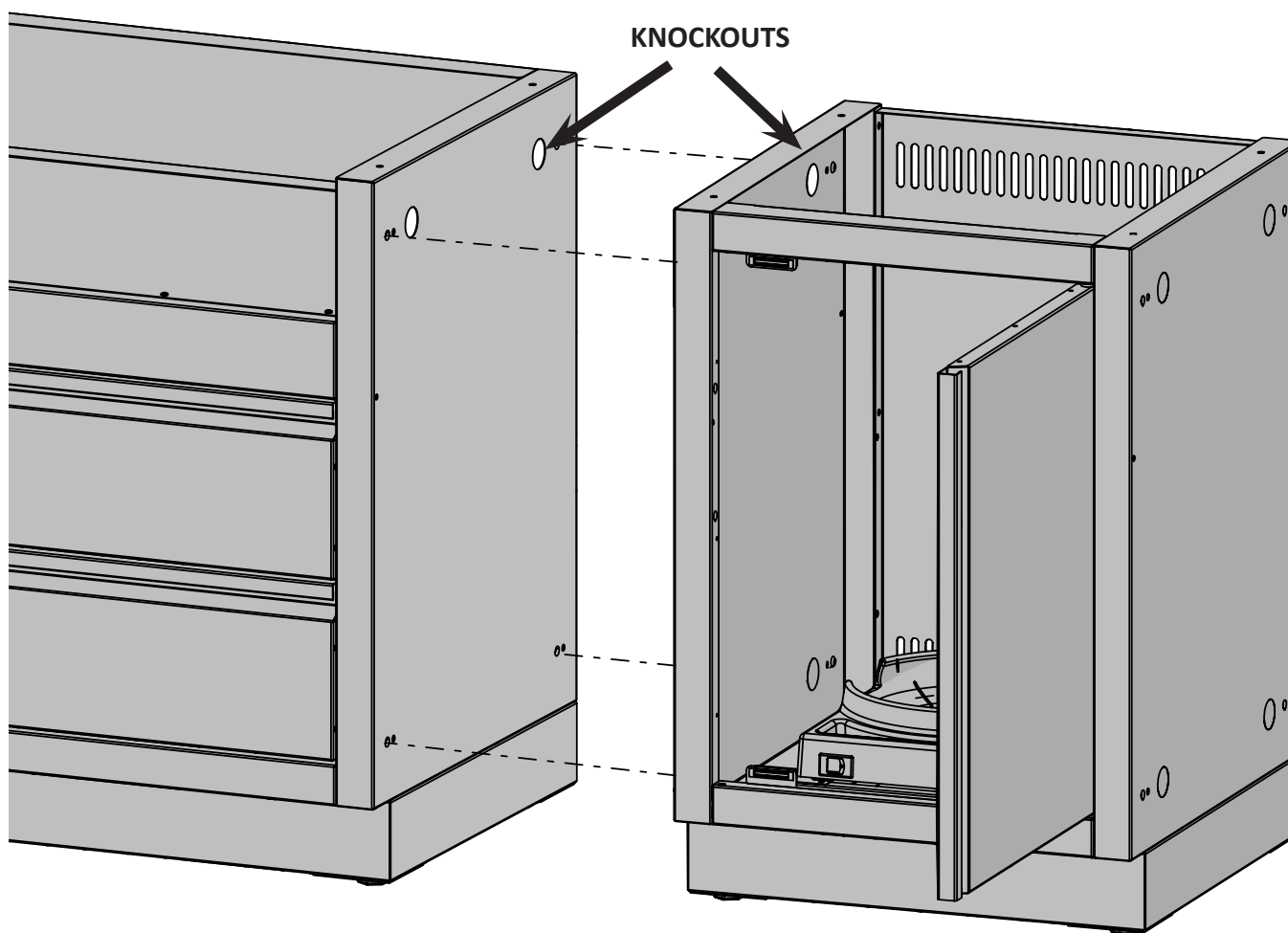
**TOOLS REQUIRED FOR ASSEMBLY (tools not included)**

3/8" (10mm)

**GAS AND ELECTRICAL PIPING**

The piping up to the gas grill is the responsibility of the installer and piping should be located as shown in the built-in instructions. Do not use hose to connect the unit. It must be connected with either rigid pipe, copper tube or an approved flexible metal connector. The installation must comply with CAN B149.1 Natural Gas and Propane installation code in Canada, or to the National Fuel Gas code, ANSI Z223.1 in the United States. The minimum recommended piping size is NPS 1/2" for rigid pipe, and 1/2" OD for copper tubing (based on a 20 ft run). Longer runs may require larger sizes to conform with CAN B149.1. Propane Gas Installation Code in Canada or to the National Fuel Gas Code, ANSI Z223.1 in the United States. Look to the manual that came with the gas grill for further instructions.

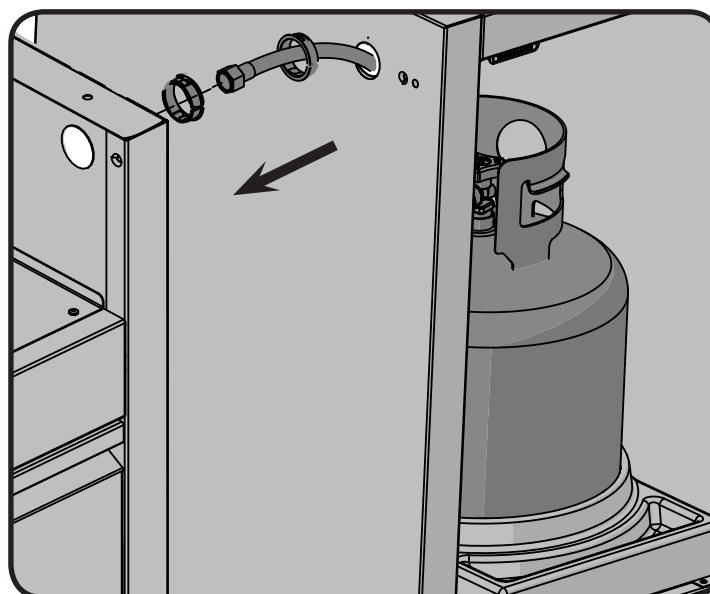
To ease installation and piping, removable knockouts have been provided in the side panels and in the center of each backpanel. The knockouts in the side panels should be removed before the cabinets are bolted in a row. Only remove the knockouts that are required for the piping of any gas, plumbing or electrical lines.



IM-UTC

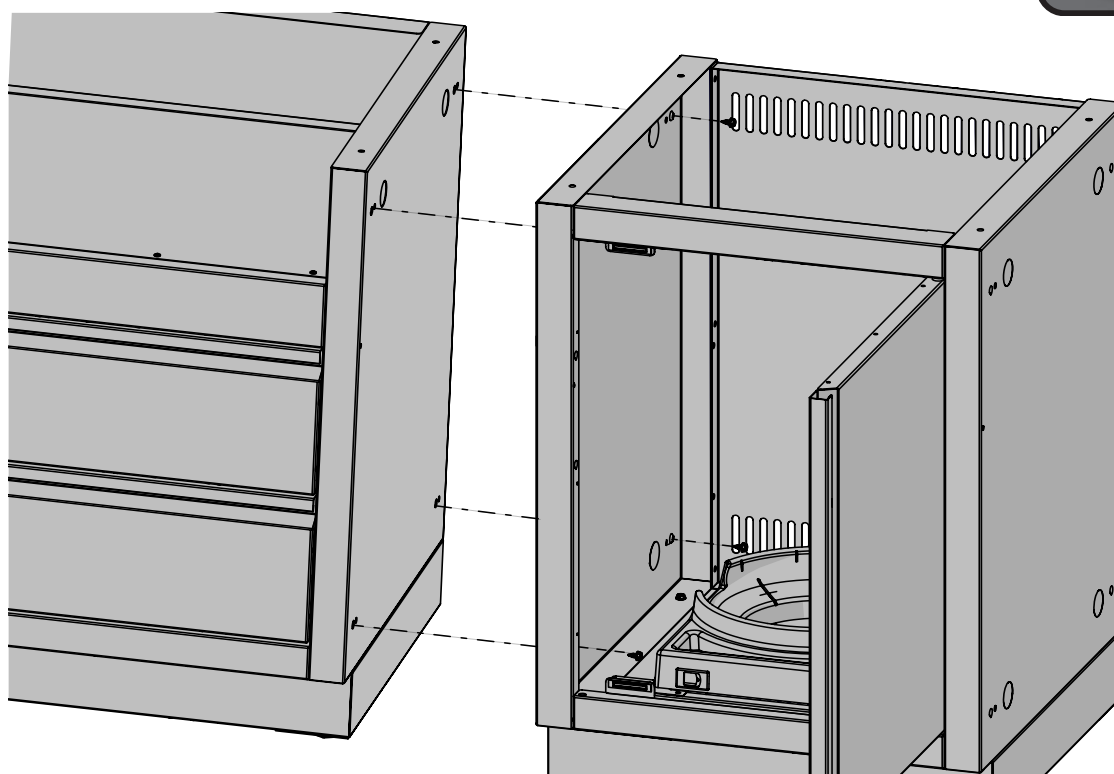
## PROPANE SUPPLY HOSE ROUTING

EN



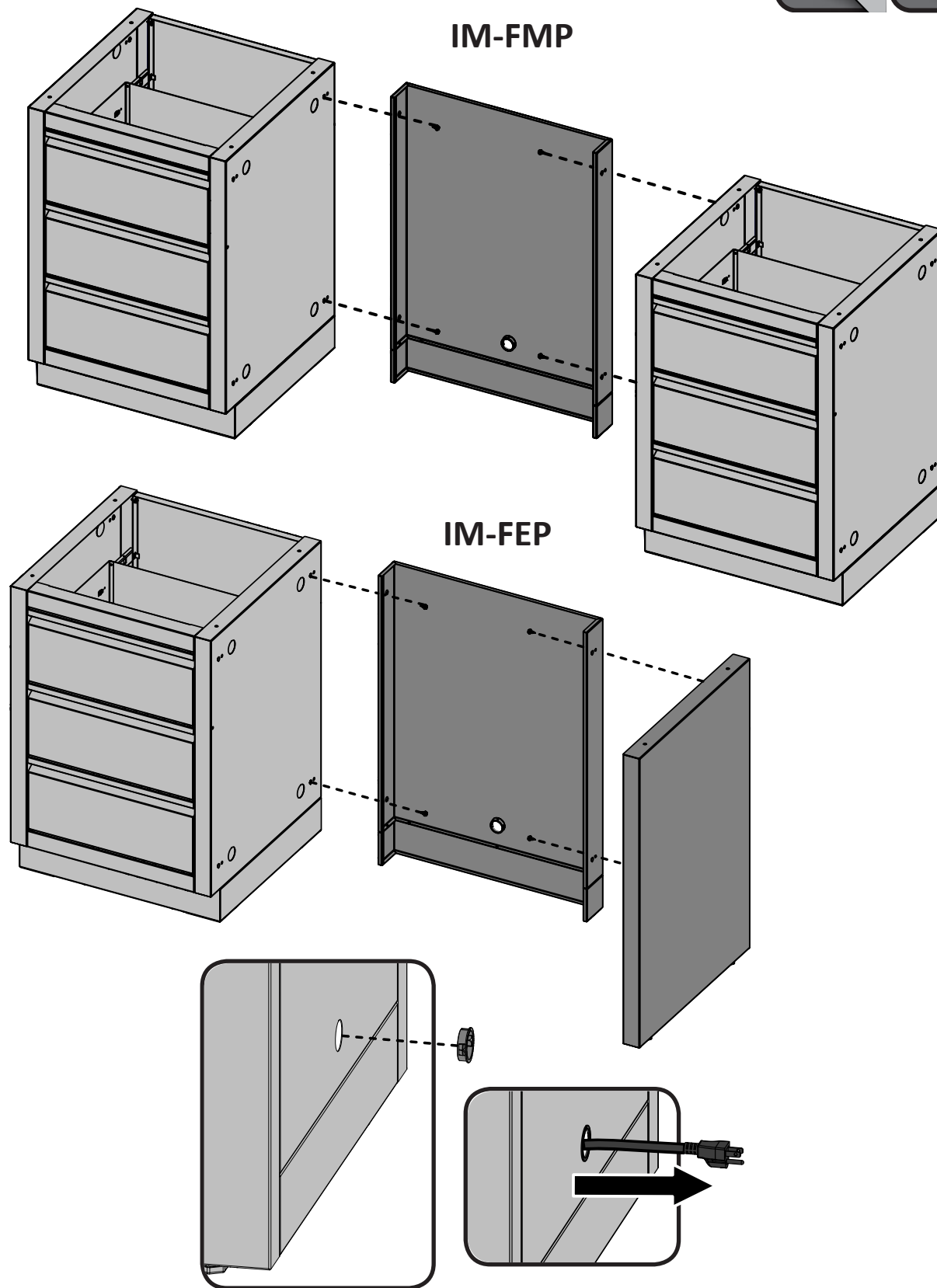
The gas connection of the LEX series grills is at the left of the control panel. Placing the tank enclosure cabinet to the left of the unit cabinet will make for easier gas piping. Knockouts have been punched in the sides and back panels to provide easy routing of gas or electrical piping. Once the knockout has been removed a bushing must be installed to prevent the gas or electrical line being cut on the edge of the hole. Gas piping and installation must be done by a qualified gas installer.

## CABINET TO CABINET ASSEMBLY



# IM-FMP/FEP

# FRIDGE PANEL ATTACHMENT

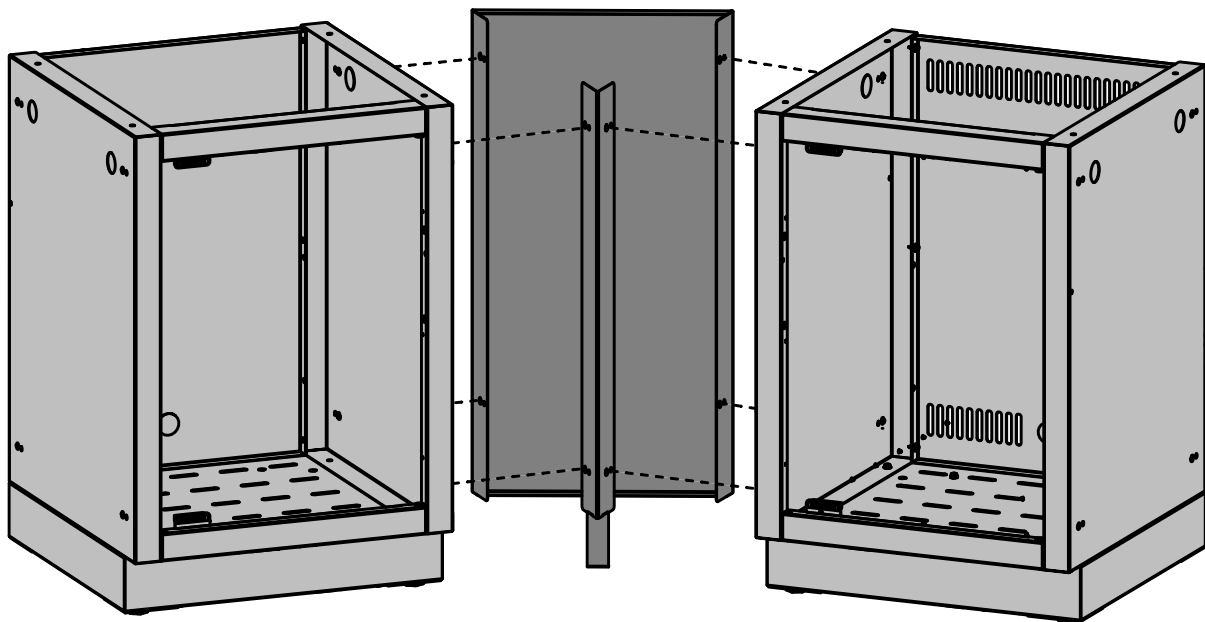


# IM-45T CABINET 45 DEGREE CONNECTION

EN



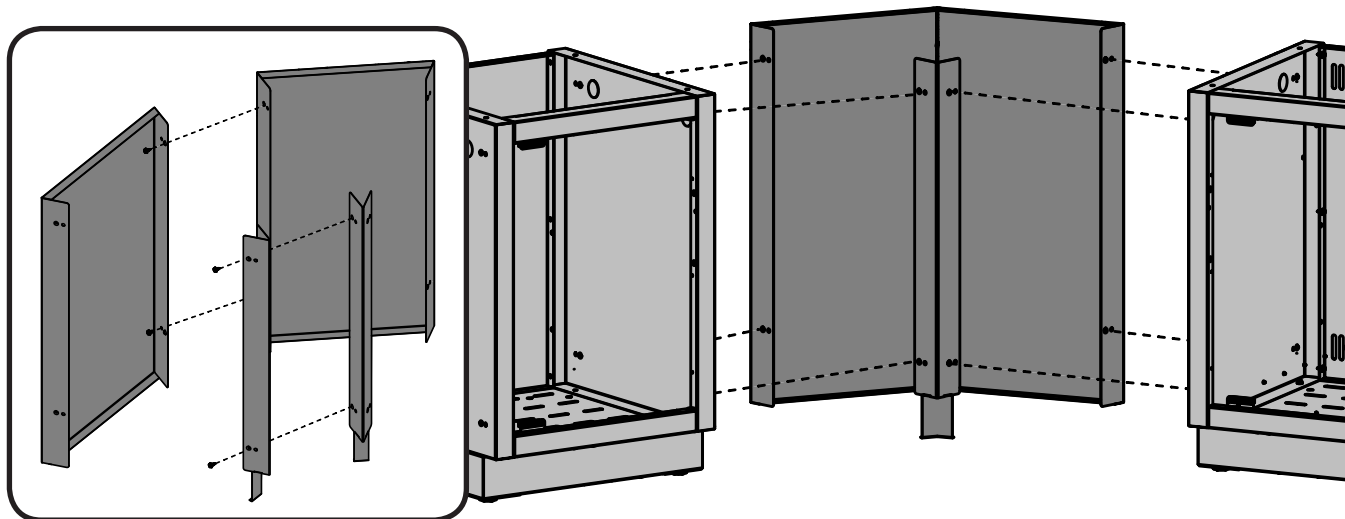
N570-0086



# IM-45T X 2 CABINET 90 DEGREE CONNECTION

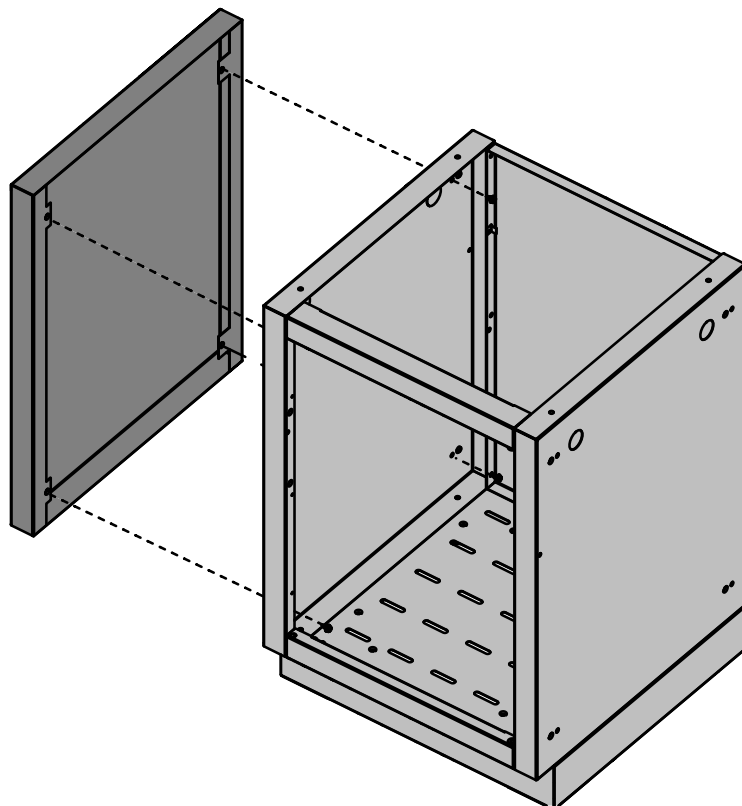


N570-0086



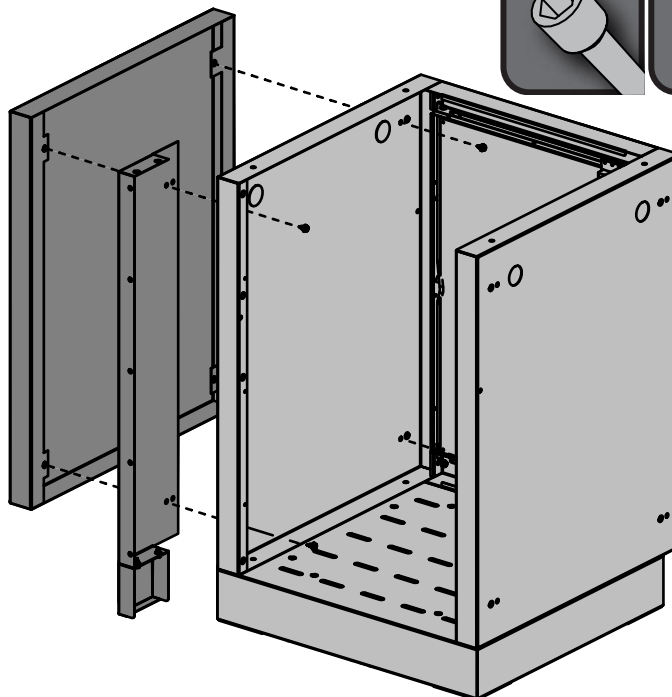
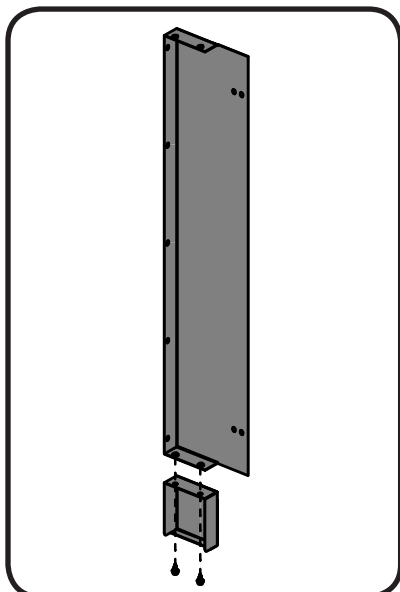
# IM-CEP

# CABINET END PANEL KIT



# IM-CEP / IM-WSF

# CABINET END PANEL KIT

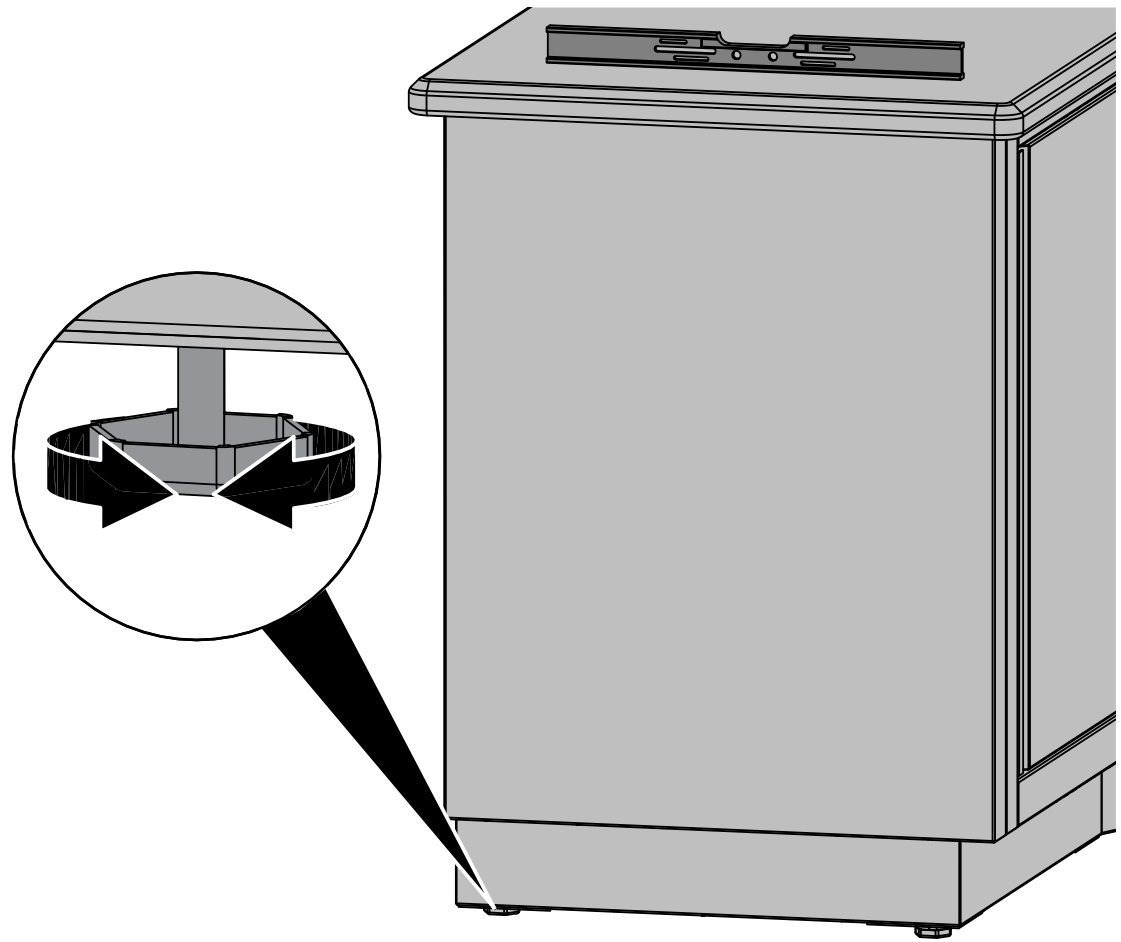


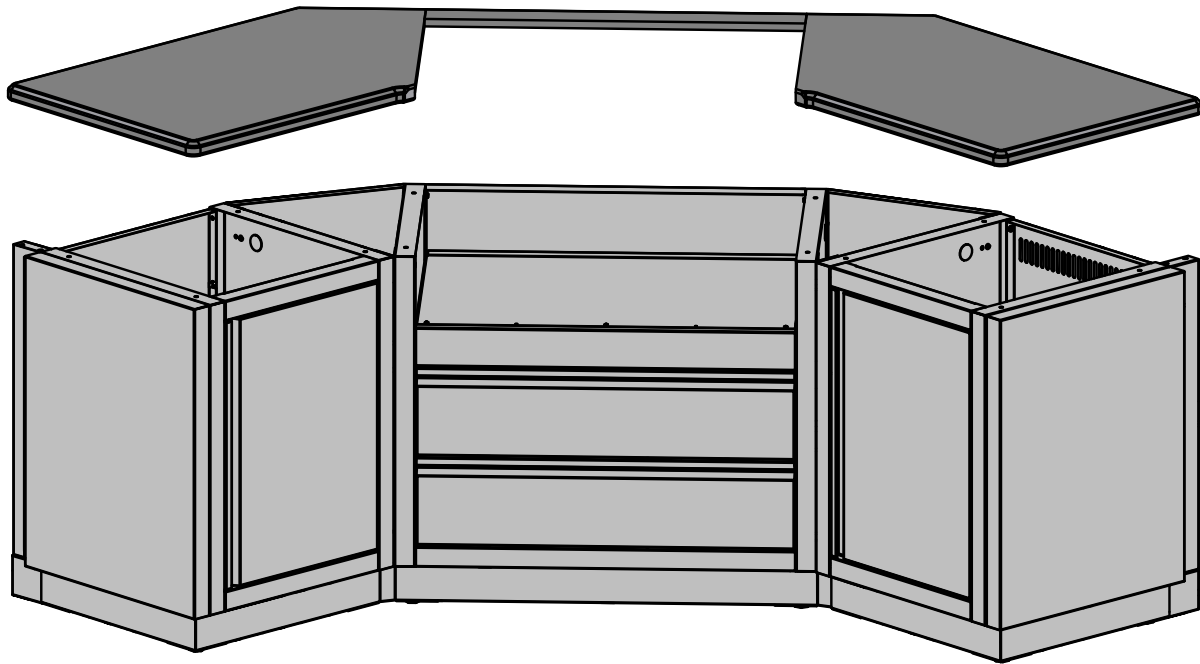
SHOWN WITH REAR PANEL REMOVED



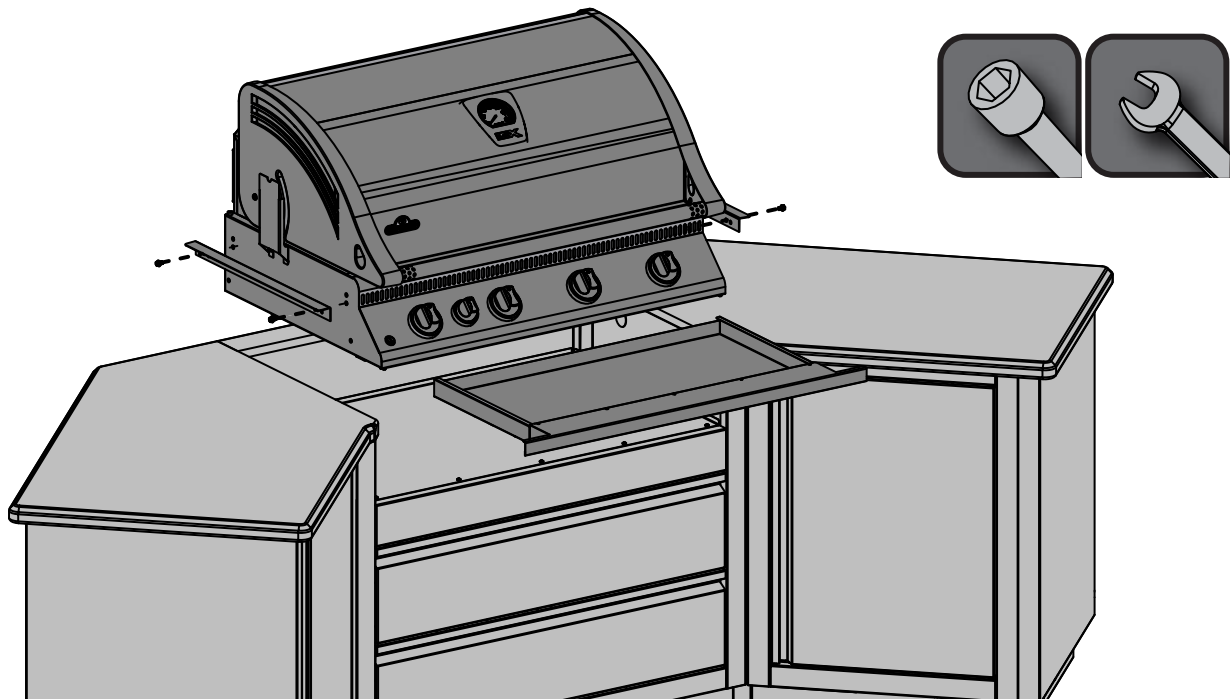
# CABINET LEVELING PROCEDURE

EN



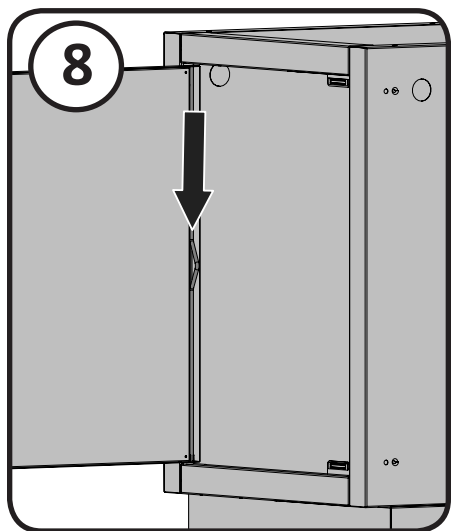
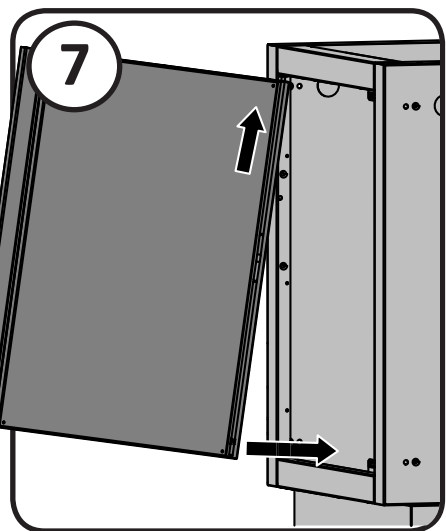
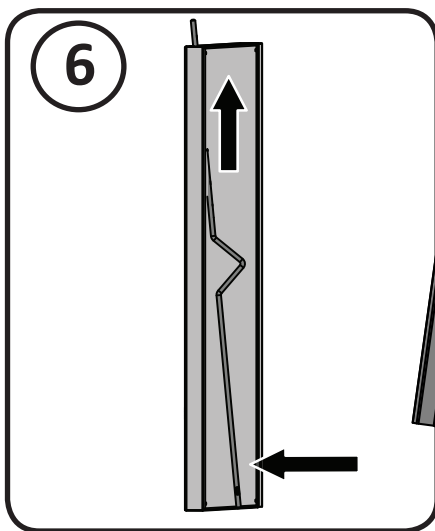
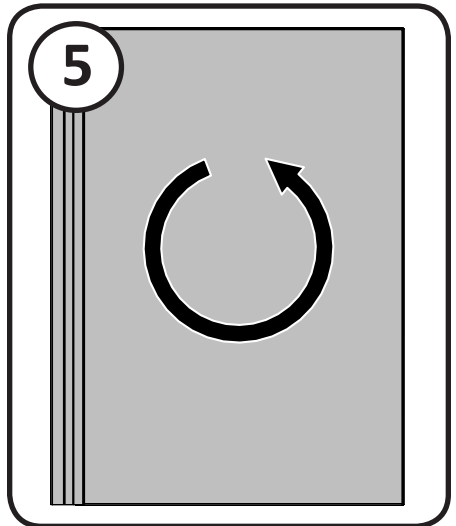
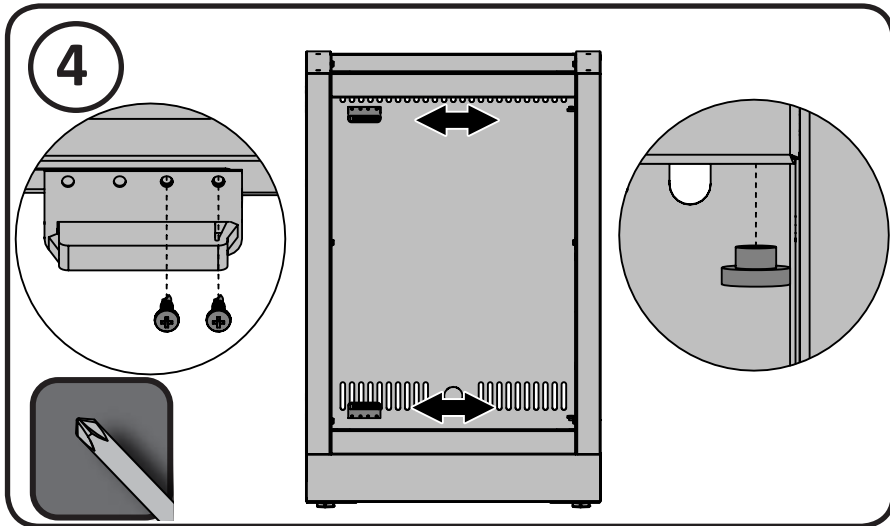
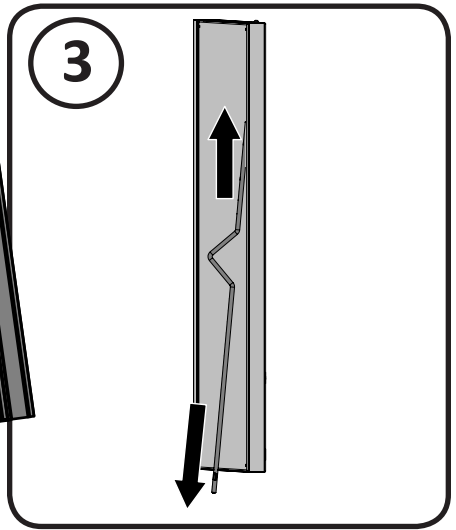
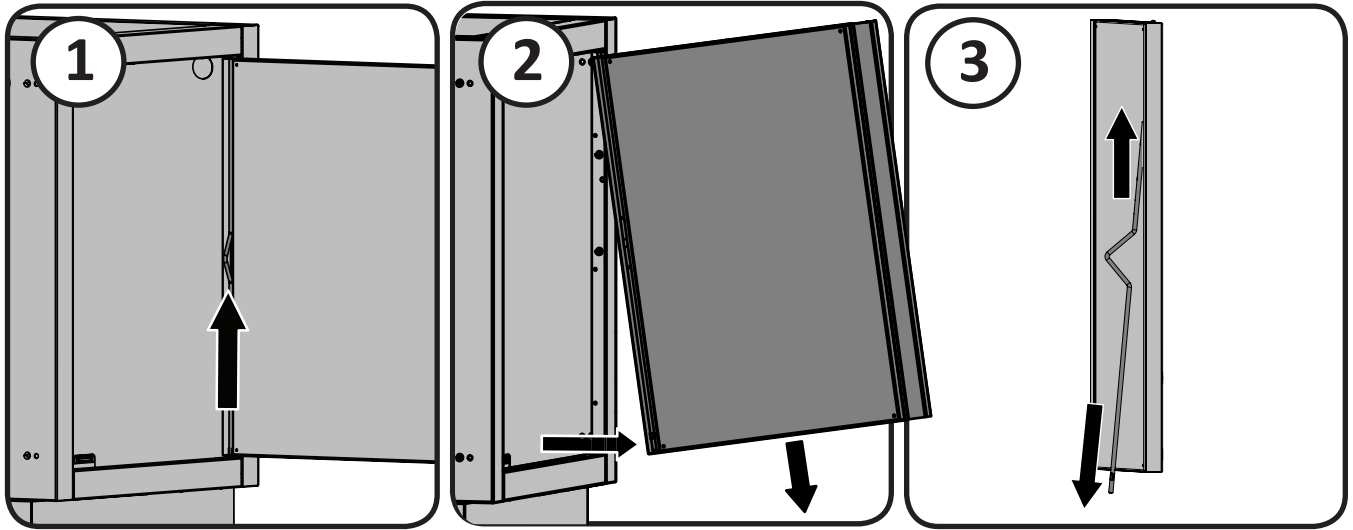


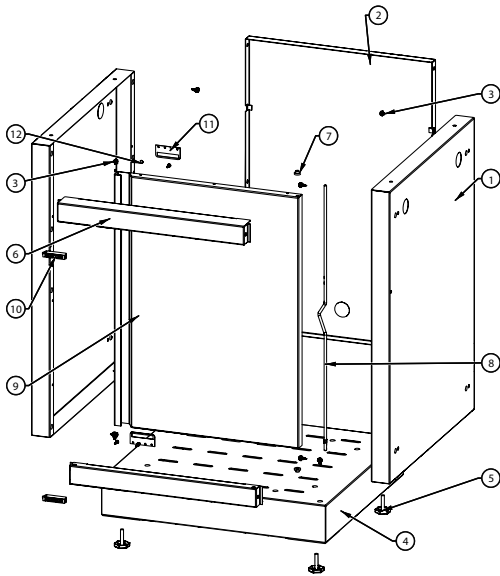
COUNTERTOP TO BE FASTENED AS PER MANUFACTURER'S INSTRUCTIONS. HOLES HAVE BEEN PLACED ON THE TOP FLANGE OF THE SIDE PANELS TO ALLOW FOR FASTENERS.



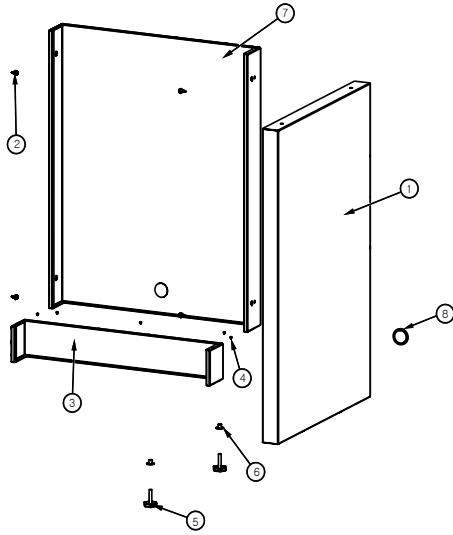
REFER TO BUILT-IN MANUAL THAT ACCOMPANIES THE GRILL FOR COMPLETE INSTRUCTIONS. GAS PIPING MUST BE DONE BY A LICENSED GAS INSTALLER.

# DOOR REVERSAL

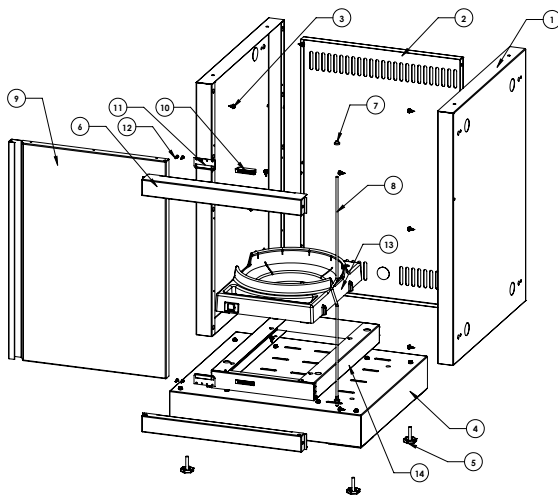




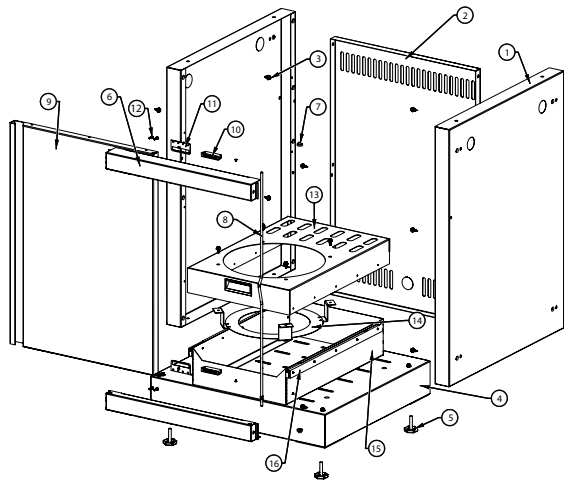
#	Part #	Description	IM-UDC
1	N475-0223-CN1HR	side panel / panneau avant	x
2	N475-0224-CN1HR	back panel / panneau arrière	x
3	N570-0086	#14 x 1/2" screw / vis #14 x 1/2"	x
4	N010-0575-CN1HR	bottom shelf assembly / ensemble de tablette inférieur	x
5	N570-0031	leveling foot / mise à niveau du pied	x
6	N525-0018-CN1HR	top/bottom rail / support superior/inférieur	x
7	N105-0011	door bushing / bagues de porte	x
8	N555-0023	door pivot rod / tige-pivot de porte	x
9	N010-0590	door assembly / ensemble de porte	x
10	N430-0002	magnetic catch / loquet magnétique	x
11	N080-0232-CN1HR	door magnet bracket / support de magnétique	x
12	N570-0013	#8 x 5/8" screw / vis #8 x 5/8"	x



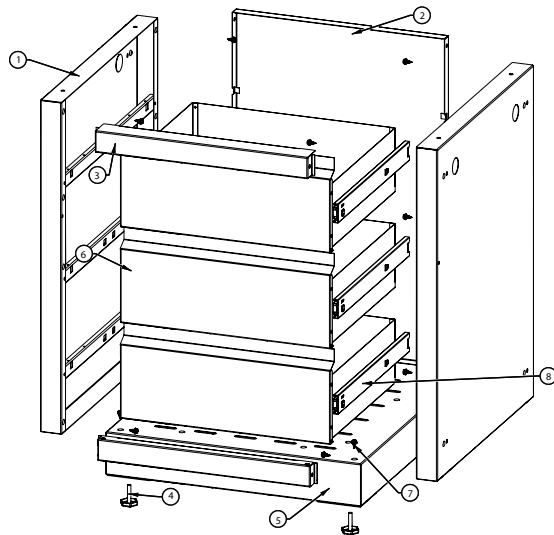
#	Part #	Description	IM-FMP	IM-FEP
1	N475-0404-CN1HR	side panel / panneau avant		x
2	N570-0086	#14 x 1/2" screw / vis #14 x 1/2"	x	x
3	N525-0055-CN1HR	bottom rail / support inférieur	x	x
4	N545-0005	rivet / rivet	x	x
5	N570-0031	leveling foot / mise à niveau de pied		x
6	N450-0046	nut / écrou		x
7	N475-0403-CN1HR	back panel / panneau arrière	x	x
8	N105-0012	1.5" bushing / bagues de porte 1.5"	x	x



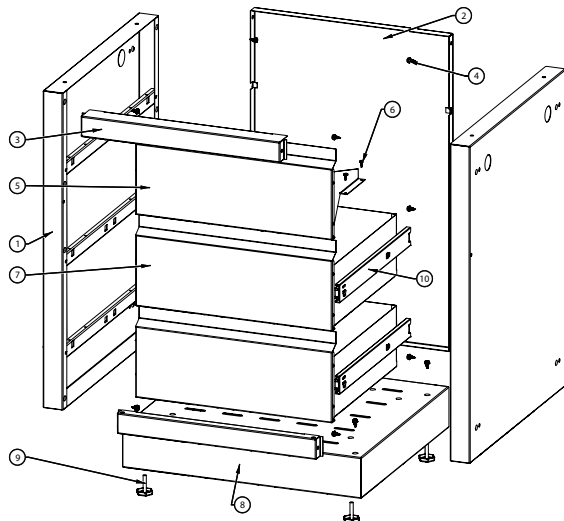
#	Part #	Description	IM-UTC
1	N475-0223-CN1HR	side panel / panneau avant	x
2	N475-0237-CN1HR	back panel / panneau arrière	x
3	N570-0086	screw , #14 x 1/2" / vis #14 x 1/2"	x
4	N010-0575-CN1HR	assembly, bottom shelf / ensemble de tablette inférieur	x
5	N570-0031	leveling foot / mise à niveau du pied	x
6	N525-0018-CN1HR	top/bottom rail / support superior/inférieur	x
7	N105-0011	door bushing / bagues de porte	x
	N105-0012	1.5" bushing / bagues de porte 1.5"	x
8	N555-0023	door pivot rod / tige-pivot de porte	x
9	N010-0590	door assembly / ensemble de porte	x
10	N430-0002	magnetic catch / loquet magnétique	x
11	N080-0232-CN1HR	door magnet bracket / support de magnétique	x
12	N570-0013	#8 x 5/8" screw / vis #8 x 5/8"	x
13	N010-0938	tank tray / plateau de réservoir	x
14	N010-0995-CN1HR	tank tray support / support de bac à réservoir	x



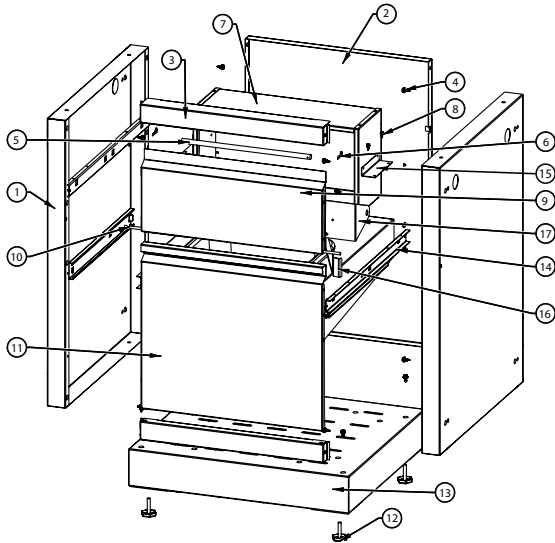
#	Part #	Description	IM-UTC-CE
1	N475-0223-CN1HR	side panel / panneau avant	x
2	N475-0237-CN1HR	back panel / panneau arrière	x
3	N570-0086	screw , #14 x 1/2" / vis #14 x 1/2"	x
4	N010-0575-CN1HR	assembly, bottom shelf / ensemble de tablette inférieur	x
5	N570-0031	leveling foot / mise à niveau du pied	x
6	N525-0018-CN1HR	top/bottom rail / support superior/inférieur	x
7	N105-0011	door bushing / bagues de porte	x
	N105-0012	1.5" bushing / bagues de porte 1.5"	x
8	N555-0023	door pivot rod / tige-pivot de porte	x
9	N010-0590	door assembly / ensemble de porte	x
	N325-0016	door handle / poignée de porte	x
10	N430-0002	magnetic catch / loquet magnétique	x
11	N080-0232-CN1HR	door magnet bracket / support de magnétique	x
12	N570-0013	#8 x 5/8" screw / vis #8 x 5/8"	x
13	N710-0100-CN1HR	tank drawer CE / CE compartiment à bonbonne	x
14	N010-0360-CN1HR	tank support ring / support du bonbonne	x
15	N080-0225-CN1HR	tank drawer support bracket / compartiment à bonbonne support	x
16	N610-0004	drawer slide / glisser tiroir	x



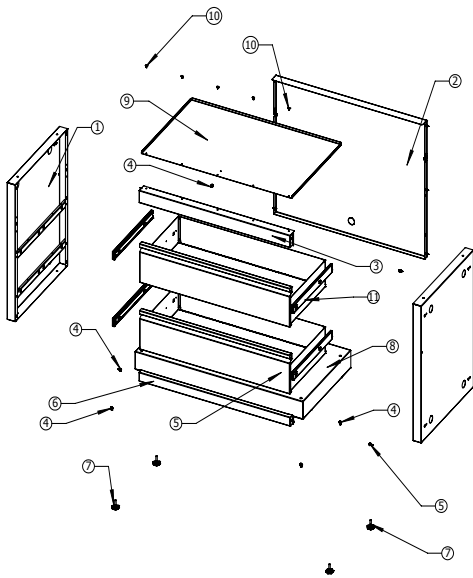
#	Part #	Description	IM-3DC
1	N010-0678-CN	side panel / panneau avant	x
2	N475-0224-CN1HR	back panel / panneau arrière	x
3	N525-0018-CN1HR	top/bottom rail / support superior/inférieur	x
4	N570-0031	leveling foot / mise à niveau du pied	x
5	N010-0575-CN1HR	assembly, bottom shelf / ensemble de tablette inférieur	x
6	N010-0677-CN	drawer assembly / assemblage du tiroir	x
7	N570-0086	#14 x 1/2" screw / vis #14 x 1/2"	x
8	N610-0010	drawer slide / glisser tiroir	x



#	Part #	Description	IM-2DC
1	N010-0678-CN	side panel / panneau avant	x
2	N475-0224-CN1HR	back panel / panneau arrière	x
3	N525-0018-CN1HR	top/bottom rail / support superior/inférieur	x
4	N570-0086	#14 x 1/2" screw / vis #14 x 1/2"	x
5	N010-0574	false drawer front / avant faux de tiroir	x
6	N570-0008	#8 x 1/2" screw / vis #8 x 1/2"	x
7	N010-0677-CN	drawer assembly / assemblage du tiroir	x
8	N010-0575-CN1HR	bottom shelf assembly / ensemble de tablette inférieur	x
9	N570-0031	leveling foot / mise à niveau du pied	x
10	N610-0010	drawer slide / glisser tiroir	x



#	Part #	Description	IM-WDC
1	N010-0678-CN	side panel / panneau avant	x
2	N475-0224-CN1HR	back panel / panneau arrière	x
3	N525-0018-CN1HR	top/bottom rail / support superior/inferieur	x
4	N570-0086	#14 x 1/2" screw / vis #14 x 1/2"	x
5	N555-0032	paper towel rod / tige pour essuie-tout	x
6	N485-0012	cotter pin / vis	x
7	N010-0576-CN1HR	paper towel housing assembly / assemblage de la porte du compartiment à essuie-tout	x
8	N570-0008	#8 x 1/2" screw / vis #8 x 1/2"	x
9	N010-0578	paper towel door assembly / assemblage de compartiment pour essuie-tout	x
10	N555-0031	pivot rod / tige-pivot	x
11	N010-0679-CN	drawer assembly, trash can / assemblage du tiroir, panier à déchets	x
12	N570-0031	leveling foot / mise à niveau du pied	x
13	N010-0575-CN1HR	assembly, bottom shelf / ensemble de tablette inférieur	x
14	N610-0010	drawer slide / glisser tiroir	x
15	N080-0228-CN1HR	paper towel housing bracket / support tiroir de serviette en papier	x
16	N080-0230-CN1HR	door stop bracket / support cale-porte	x
17	N160-0018	paper towel bracket / support de serviette en papier	x
	N185-0004	waste bin / poubelle	x



#	605	730	Description
1	N010-0678-CN	N010-0678-CN	side panel / panneau avant
2	N475-0392-CN1HR	N475-0233-CN1HR	back panel / panneau arrière
3	N525-0020-CN1HR	N525-0021-CN1HR	top rail / support superior
4	N570-0086	N570-0086	#14 x 1/2" screw / vis #14 x 1/2"
5	N010-0682-CN	N010-0683-CN	drawer assembly / assemblage du tiroir
6	N525-0023-CN1HR	N525-0024-CN1HR	bottom rail / support inférieur
7	N570-0031	N570-0031	leveling foot / mise à niveau du pied
8	N010-0581-CN1HR	N010-0583-CN1HR	bottom shelf / tablette inférieur
9	N585-0051-CN1HR	N585-0052-CN1HR	drawer dripshield / écran anti-égouttement pour tiroir
10	N570-0013	N570-0013	#8 x 5/8" screw / vis #14 x 5/8"
11	N610-0010	N610-0010	drawer slide / glisser tiroir
	N105-0012	N105-0012	1.5" bushing / bagues de porte 1.5"
	N485-0007	N485-0007	black plug / bouchon noir

#	245/300	485-1	500	Description
1	N010-0678-CN	N010-0678CN	N010-0678-CN	side panel left / panneau avant gauche
2	N475-0224-CN1HR	N475-0302-CN1HR	N475-0302-CN1HR	back panel / panneau arrière
3	N525-0031-CN1HR	N525-0042-CN1HR	N525-0041-CN1HR	top rail / support superior
4	N570-0086	N570-0086	N570-0086	#14 x 1/2" screw / vis #14 x 1/2"
5	N010-0677CN	N010-0745-CN	N010-0745-CN	drawer assembly / assemblage du tiroir
6	N525-0018-CN1HR	N525-0040-CN1HR	N525-0040-CN1HR	bottom rail / support inférieur
7	N570-0031	N570-0031	N570-0031	leveling foot / mise à niveau du pied
8	N010-0575-CN1HR	N010-0744-CN1HR	N010-0744-CN1HR	bottom shelf / tablette inférieur
9	N585-0062-CN1HR	N585-0085-CN1HR	N585-0084-CN1HR	drawer dripshield / écran anti-égouttement pour tiroir
10	N570-0013	N570-0013	N570-0013	#8 x 1/2" screw / vis #8 x 1/2"
	N610-0010	N610-0010	N610-0010	slide, drawer / glisser, tiroir
	N485-0007	N485-0007	N485-0007	black plug / bouchon noir
	N105-0012	N105-0012	N105-0012	1.5" bushing / bagues de porte 1.5"
	N710-0066			dripan, replaces pan included with BI300 / tiroir d'égouttement, remplace le tiroir inclus avec le BI300

**KEEP YOUR RECEIPT AS PROOF OF PURCHASE TO VALIDATE YOUR WARRANTY.**

## Ordering Replacement Parts

### *Warranty Information*

MODEL: \_\_\_\_\_

DATE OF PURCHASE: \_\_\_\_\_

SERIAL NUMBER: \_\_\_\_\_

### ***(Record information here for easy reference)***

For replacement parts and warranty claims, contact the Napoleon dealer where the product was purchased.

Before contacting the dealer, check the Napoleon Grills Website for more extensive cleaning, maintenance, troubleshooting and parts replacement instructions at [www.napoleongrills.com](http://www.napoleongrills.com).

To process a claim, the following information is required:

1. Model and serial number of the unit.
2. Part number and description.
3. A concise description of the problem ('broken' is not sufficient).
4. Proof of purchase (photocopy of the invoice).

In some cases, Napoleon could request to have the parts returned to the factory for inspection before providing replacement parts.

Before contacting Napoleon dealer, please note that the following items are not covered by the warranty:

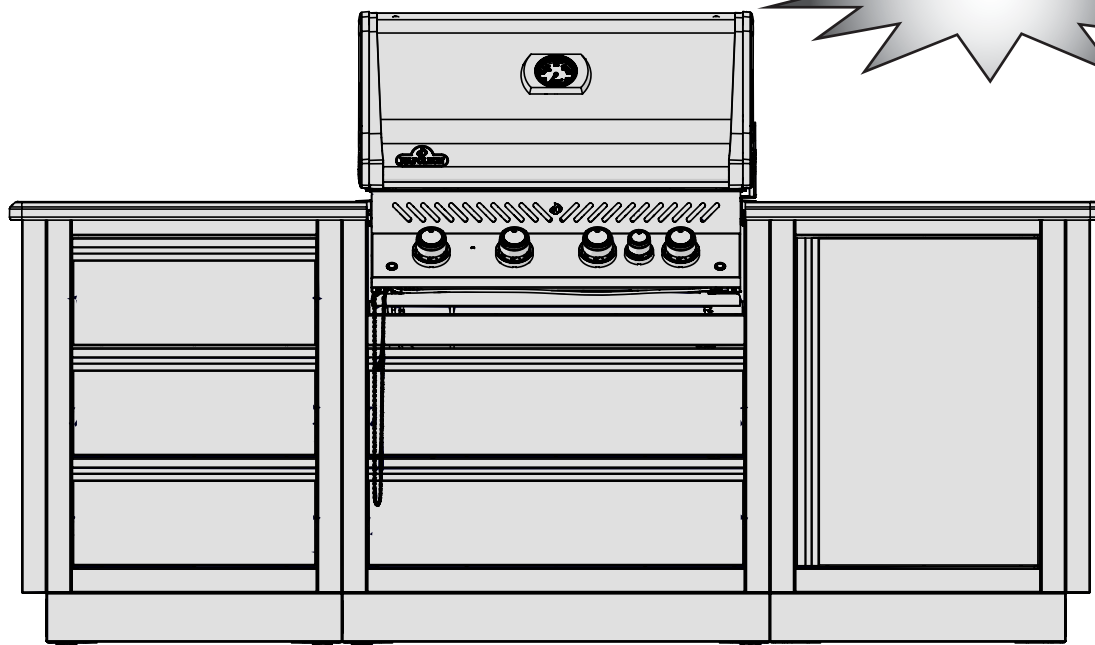
- Costs for transportation, brokerage or export duties.
- Labour costs for removal and reinstallation.
- Costs for service calls to diagnose problems.
- Discolouration of stainless steel parts.
- Part failure due to lack of cleaning and maintenance, or use of improper cleaners (oven cleaner or other harsh chemicals).

*Notes*





FR



## INSTRUCTIONS D'ASSEMBLAGE DES CABINETS MODULAIRES

Afin d'assembler correctement votre gril encastré, veuillez vous référer à ce manuel ainsi qu'au manuel principal. Consultez ce dernier pour les instructions d'opération, de nettoyage et d'entretien. Ce gril convient uniquement à des cabinets INCOMBUSTIBLES et il doit être installé et entretenu par un installateur qualifié en respectant les codes locaux.

**GARDER CE LIVRE POUR RÉFÉRENCES FUTURES.**

Wolf Steel Ltd.  
214 Bayview Drive,  
Barrie, Ontario, CANADA L4N 4Y8  
[grills@napoleonproducts.com](mailto:grills@napoleonproducts.com)

Wolf Steel Europe BV  
Poppenbouwing 29-31, 4191 NZ Geldermalsen,  
CCI No. 51509970, THE NETHERLANDS  
[info@napoleongrills.nl](mailto:info@napoleongrills.nl)

# Garantie limitée à vie de 10 ans du Président des Grils Napoléon



FR

Les produits NAPOLÉON sont conçus avec des composants et des matériaux de qualité supérieure, assemblés par des artisans qualifiés qui sont fiers de leur travail. Ce produit a été soigneusement inspecté par un technicien qualifié avant d'être emballé et expédié pour garantir que vous, le client, recevez le produit de qualité dont vous vous attendez de la part de NAPOLÉON.

**NAPOLÉON garantit que les composants de votre nouveau produit NAPOLÉON sera exempt de défauts de matériaux et de fabrication à partir de la date d'achat, pour la période suivante :**

Pièces en fonte d'aluminium / base en acier inoxydable .....	<b>10 ans</b>
Brûleurs tubulaires en acier inoxydable .....	<b>10 ans</b>
Brûleur infrarouge en céramique (excluant le grillage) .....	<b>5 ans de pleine garantie, plus 50 % de rabais jusqu'à la 10e année</b>
Couvercle en acier inoxydable, la porte et les panneaux de tiroirs .....	<b>5 ans de pleine garantie, plus 50 % de rabais jusqu'à la 10e année</b>
Plaques de brûleur en fonte émaillée en porcelaine .....	<b>5 ans de pleine garantie, plus 50 % de rabais jusqu'à la 10e année</b>
Plaques de brûleur en acier inoxydable ou en porcelaine .....	<b>5 ans de pleine garantie, plus 50 % de rabais jusqu'à la 10e année</b>
Les charnières, les boîtiers et les glisseurs .....	<b>3 ans de pleine garantie, plus 50 % de rabais jusqu'à la 10e année</b>
Toutes les autres pièces .....	<b>2 ans</b>

## \*Conditions et limitations

La présente garantie limitée couvre une période de garantie telle que spécifiée dans le tableau ci-dessus pour tout produit acheté par l'entremise d'un détaillant autorisé NAPOLÉON et donne droit à l'acheteur d'origine à la couverture spécifiée relativement à tout composant remplacé durant la période de garantie, que ce soit par NAPOLÉON ou un détaillant autorisé NAPOLÉON, pour le remplacement de tout composant qui présente une défaillance dans le cadre d'un usage privé normal à la suite d'un défaut de fabrication. La mention « 50 % de rabais » indiquée dans le tableau signifie que le composant est mis à disposition de l'acheteur à 50 % de son prix de détail courant pour la période indiquée. La présente garantie limitée ne couvre ni les accessoires ni les articles offerts gratuitement.

Il est entendu que l'« usage privé normal » d'un produit signifie que le produit : a été installé par un technicien de service ou entrepreneur certifié, conformément aux instructions d'installation incluses avec le produit et à tous les codes d'incendie et de construction locaux et nationaux; a été entretenu correctement; et n'a pas été utilisé dans une application à usage collectif ou commercial.

De la même manière, « défaillance » n'inclut pas : la surchauffe, les extinctions causées par des conditions environnementales telles que des vents forts ou une ventilation inadéquate, les égratignures, les bosses, la corrosion, la détérioration des finis peints et plaqués, la décoloration due à la chaleur, aux nettoyants abrasifs ou chimiques ou à l'exposition à des rayons UV, l'écaillage des pièces en porcelaine émaillée ou les dommages causés par un mauvais usage, un accident, la grêle, des feux de graisse, un manque d'entretien, un environnement inadéquat tel que le sel ou le chlore, des altérations, des abus, des négligences ou des pièces installées par d'autres fabricants.

Dans le cas d'une détérioration des composants causant le mauvais fonctionnement de l'appareil (perforation par la rouille ou la surchauffe) pendant la période couverte par la garantie, les pièces de rechange seront fournies par NAPOLÉON. Les composants de rechange relèvent de la seule responsabilité de NAPOLÉON telle que définie par la présente garantie limitée; en aucun cas, NAPOLÉON ne saurait être tenu responsable de l'installation, de la main-d'œuvre ou de tous autres coûts ou dépenses relatifs à la réinstallation d'une pièce garantie, de tous dommages accessoires, consécutifs ou indirects ni de tous frais de transport, de main-d'œuvre ou taxes d'exportation.

La présente garantie limitée vient s'ajouter à tous les droits qui vous sont accordés par la législation locale. Par conséquent, la présente garantie limitée n'impose pas à NAPOLÉON l'obligation de garder des pièces en stock. En fonction de la disponibilité des pièces, NAPOLÉON peut, à sa discrétion, se libérer de toute obligation en fournissant à un client un crédit au prorata applicable à un nouveau produit. Après la première année, NAPOLÉON peut, à sa discrétion, se libérer entièrement de toute obligation en ce qui concerne la présente garantie limitée en remboursant à l'acheteur d'origine le prix de gros de toute pièce garantie et défectueuse.

La facture ou une copie sera requise ainsi que le numéro de série et le numéro de modèle lors d'une réclamation auprès de NAPOLÉON. NAPOLÉON se réserve le droit de demander à son représentant d'inspecter tout produit ou pièce avant d'honorer toute réclamation. Pour pouvoir bénéficier de la couverture de garantie, vous devez contacter le service à la clientèle de NAPOLÉON ou un détaillant autorisé NAPOLÉON.



napoleongrills.com

## PLANIFICATION DE VOTRE ÎLOT MODULAIRE EXTÉRIEUR NAPOLÉON

La polyvalence est à la base de la conception de la série des Îlots modulaires extérieurs Napoléon. Pour convenir à vos besoins, la configuration des cabinets est presque illimitée. Les îlots peuvent être installés contre un mur de la maison ou comme îlot isolé, créant ainsi l'élément central de votre cour arrière. Grâce à ses fonctions multiples et à sa capacité de rangement, votre îlot peut être transformé en une cuisine extérieure. Ainsi, l'hôte évolue au cœur de l'action lorsqu'il reçoit ses invités.

Les cabinets sont conçus pour être facilement assemblés et installés par le propriétaire ou un entrepreneur. Tous les cabinets mesurent 35" (889 mm) de haut par 24" (610 mm) de profond. Tous les cabinets mesurent 24" (610 mm) de large sauf les cabinets pour grils ENCASTRÉS dont la largeur correspond à celle de l'appareil pour lequel il est conçu. Le contrôle de température est situé à l'arrière du réfrigérateur. Le cabinet est muni d'un panneau amovible donnant accès au contrôle de température. Assurez-vous que le panneau demeure accessible une fois que le cabinet est installé. Chaque cabinet est muni de quatre pattes de nivellement pour un ajustement facile sur les surfaces inégales. Les cabinets à deux tiroirs sont conçus pour les grils ENCASTRÉS Napoléon seulement et sont offerts en plusieurs grandeurs. Les grils ENCASTRÉS sont de grandeurs différentes. Consultez le manuel d'instructions de votre gril pour obtenir les instructions d'installation et de fonctionnement appropriées.

Les grils encastrés de la série BUILT-IN sont disponibles en tant que modèle fonctionnant au propane ou au gaz naturel. Le gaz naturel est le choix évident pour plusieurs des personnes qui l'utilisent déjà dans leur maison. Toutes les modifications ou installations relatives au gaz doivent être faites par un installateur de gaz qualifié. Les panneaux latéraux et arrière possèdent des plaques poinçonnées pour faciliter l'installation et le passage de la tuyauterie. Ceux qui opteront pour un gril au propane pourront aussi se procurer un cabinet pour y insérer le réservoir.

Les cabinets peuvent être installés contre un mur INCOMBUSTIBLE de la maison, un demi-mur en maçonnerie ou enduit de stuc, ou encore en tant qu'îlot isolé. Assurez-vous que la ventilation soit adéquate à l'arrière du cabinet du réfrigérateur - un espace minimal de 6" (150 mm) est requis entre l'arrière du cabinet et les structures adjacentes. Ne bloquez jamais les ouvertures de ventilation situées à l'arrière du cabinet sinon le réfrigérateur risque de surchauffer. Lorsque vous placez un îlot contre un mur, un espace doit être ménagé pour permettre de lever le couvercle du gril. Pour ce faire, vous devez acheter et installer un espaceur mural optionnel de 4 po. L'espaceur sert aussi à fermer l'espace entre le cabinet et le mur pour éviter que des débris ou des rongeurs y pénètrent. Pour une finition plus élégante, des panneaux d'extrémité, finis peints à base de poudre et d'une largeur de 2 po, peuvent être achetés pour recouvrir les ouvertures laissées par les plaques poinçonnées et les trous de montage situés dans les panneaux extérieurs des cabinets d'extrémité.

Lorsque vous utilisez des pièces de transition de 45° et 90°, les modules de chaque côté des pièces de transition doivent être choisis soigneusement. Si des modules avec des portes ou des tiroirs sont utilisés de chaque côté d'une pièce de transition, ils se nuiront l'un l'autre lors de l'ouverture. Si un module avec tiroir est placé à côté d'un gril, le panneau de commande du gril empêchera l'ouverture du tiroir supérieur. La même chose s'applique pour le module avec le tiroir à déchets/porte essuie-tout. Les modules avec portes peuvent être installés à côté des pièces de transition de 45°, cependant, le panneau de commande du gril empêchera la porte de s'ouvrir complètement et risque d'endommager la porte. Le module idéal pour cette application est le module à deux tiroirs (faux tiroir dans le haut).

Des ensembles de brûleur latéral optionnels sont disponibles auprès de votre détaillant de gril à gaz Napoléon. Ces ensembles de brûleur latéral complètent à merveille les grils encastrés de la série BUILT-IN. Nous recommandons d'installer l'ensemble de brûleur latéral sur le dessus d'un cabinet IM-2DC. Le devant à faux tiroir dans le haut de ce cabinet fournit l'espace nécessaire pour le passage de la soupape et du boyau du brûleur. Le cabinet IM-2DC procure aussi l'espace requis pour ceux qui aimeraient installer un évier dans leur cuisine extérieure.

Les comptoirs doivent être commandés et fournis par le propriétaire. Si le gril est incorporé dans le comptoir, ce dernier doit être de nature **INCOMBUSTIBLE**. Les comptoirs peuvent être commandés à l'avance. Il suffit de faire un croquis de l'emplacement des cabinets et de calculer les dimensions du comptoir, en y ajoutant un surplomb de 1 à 2 pouces (25 mm-51 mm). La plupart des fabricants de comptoirs acceptent de venir prendre les mesures une fois l'assemblage des cabinets complété afin d'assurer un ajustement parfait.



**Le gril encastré est muni de supports en acier inoxydable et de ferrures qui permettent à l'appareil d'être placé sur le comptoir, au-dessus du cabinet approprié. Le granite, le MeganiteMD ou le Corian® représentent d'excellents choix de matériaux pour le comptoir. Pour insérer et retirer le tiroir d'égouttement correctement, la tête de gril encastré doit être soutenue par un comptoir avec une épaisseur entre ½" (13mm) et 1 ½" (38mm).**

Afin de les agencer aux couleurs de vos meubles extérieurs, vous pouvez opter pour des comptoirs décoratifs faits de carreaux de céramique reposant sur un panneau de béton.



**AVERTISSEMENT!** Ce produit peut vous exposer à des substances chimiques qui comprennent le nickel, connu selon l'État de Californie comme une des causes principales du cancer, ainsi que le bisphénol A, qui pourra causer des malformations congénitales ou autres dangers pour la reproduction selon l'État de Californie. Pour de plus d'informations, veuillez visiter le [www.P65Warnings.ca.gov](http://www.P65Warnings.ca.gov).

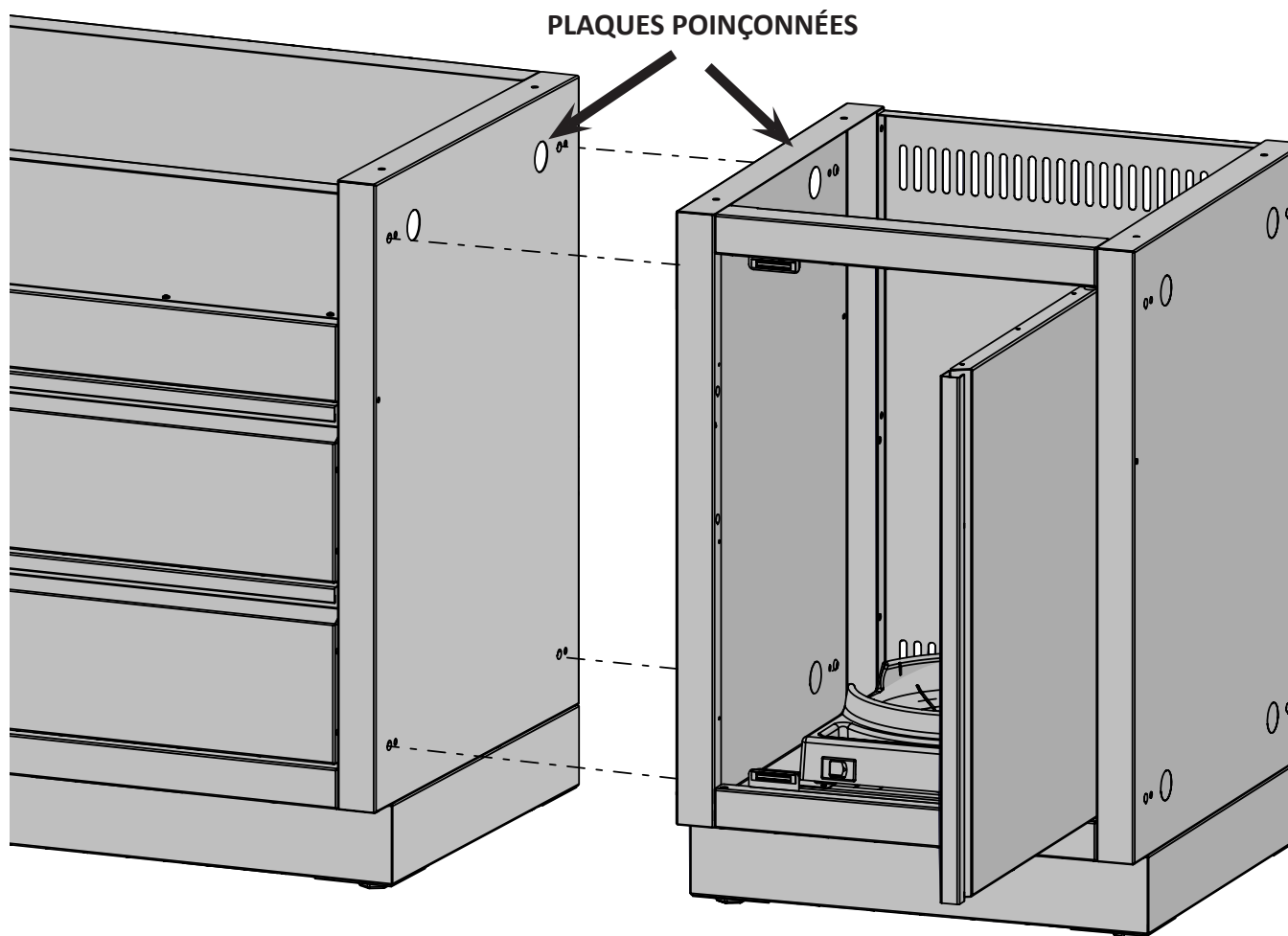
**OUTILS REQUIS POUR L'ASSEMBLAGE (outils non inclus)**

3/8" (10mm)

**INSTALLATION DE L'ALIMENTATION ÉLECTRIQUE ET DE LA TUYAUTERIE POUR LE GAZ**

L'installateur est responsable d'acheminer la tuyauterie au gril à gaz. La tuyauterie devrait être installée comme montré dans le manuel du gril encastré. Ne pas utiliser de boyau pour brancher l'appareil. Le branchement doit être fait avec du tuyau rigide, du tuyau de cuivre ou un raccord métallique flexible approuvé. L'installation doit être conforme à la norme CAN B149.1 du Code d'installation du gaz naturel et du propane au Canada, ou à la norme ANSI Z223.1 du National Fuel Gas Code aux États-Unis. Le diamètre minimal recommandé pour le tuyau rigide est de ½ po NPS et celui du tuyau de cuivre de ½ po (selon une longueur de 20 pi.) Si la longueur est plus grande, un diamètre supérieur peut être nécessaire pour être conforme à la norme CAN B149.1 du Code d'installation du gaz naturel et du propane au Canada, ou à la norme ANSI Z223.1 du National Fuel Gas Code aux États-Unis. Consultez le manuel fourni avec le gril à gaz pour obtenir d'autres directives.

Pour faciliter l'installation et le passage de la tuyauterie, des plaques poinçonnées se trouvent dans les panneaux latéraux et au centre de chacun des panneaux arrière. Les plaques poinçonnées situées sur les panneaux latéraux doivent être enlevées avant d'assembler les rangées de cabinets. N'enlevez que les plaques poinçonnées nécessaires pour passer la tuyauterie pour le gaz, la plomberie et les fils électriques.

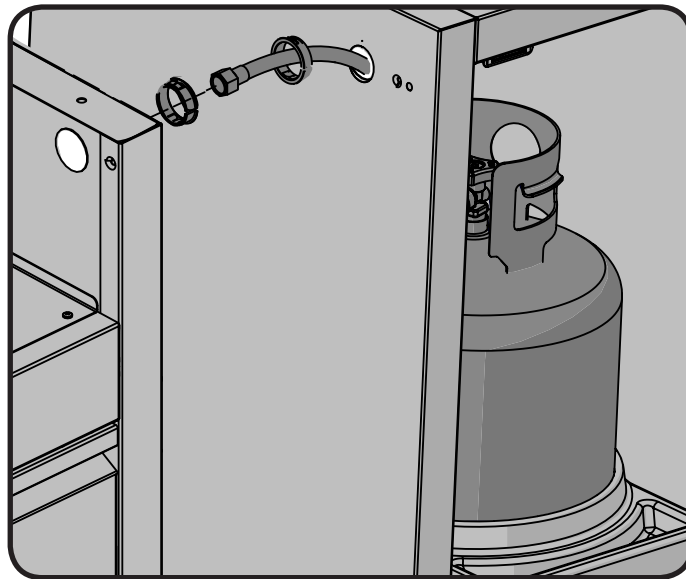


## IM-UTC ACHEMINEMENT DU BOYAU D'ALIMENTATION EN PROPANE



x2

N105-0012



Le branchement du gaz des grils Napoléon se trouve à la gauche du panneau de contrôle. Placer le cabinet pour réservoir de propane à gauche du cabinet pour gril simplifiera l'installation de la tuyauterie pour le gaz. Des plaques ont été poinçonnées dans les panneaux latéraux et arrière pour faciliter l'installation de l'alimentation électrique et de la tuyauterie pour le gaz. Une fois les plaques poinçonnées enlevées, une bague doit y être insérée pour éviter que les conduites de gaz ou les fils électriques ne s'endommagent sur les bords de l'ouverture. L'installation de la tuyauterie pour le gaz doit être faite par un installateur de gaz qualifié.

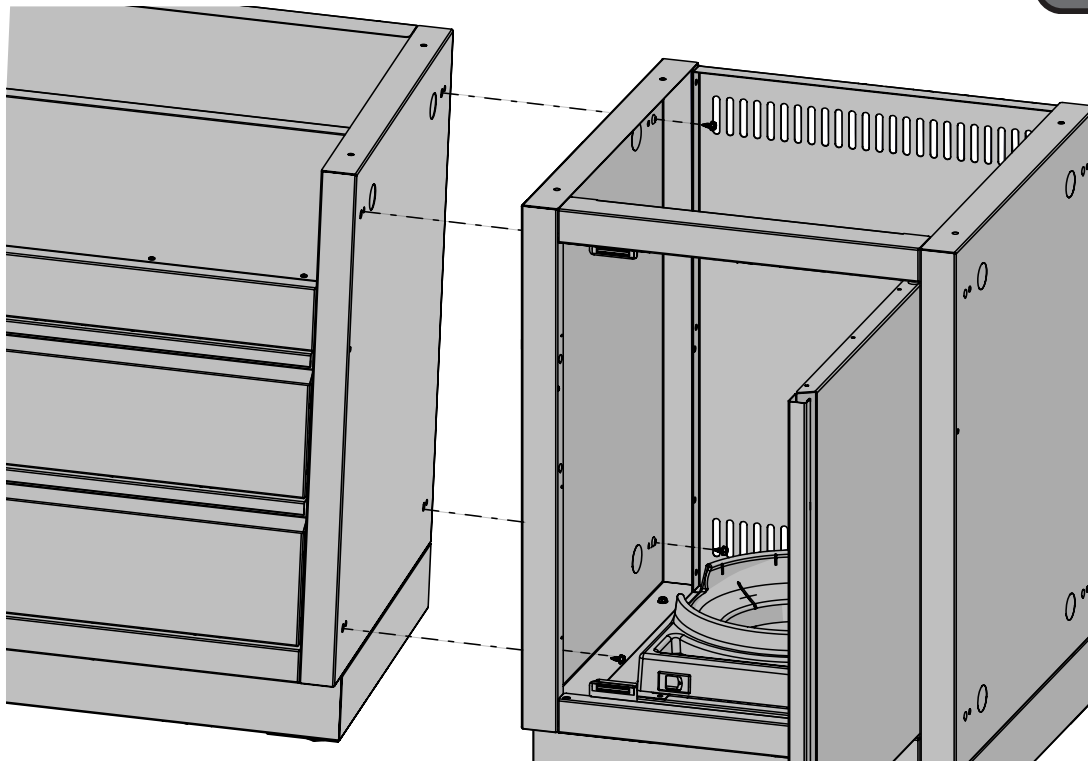
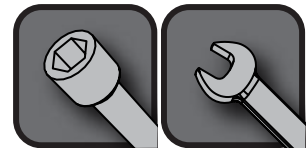
FR

## INSTALLATION DE CABINETS CÔTE À CÔTE

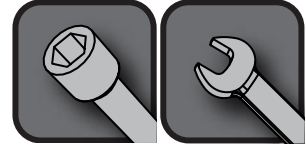


x4

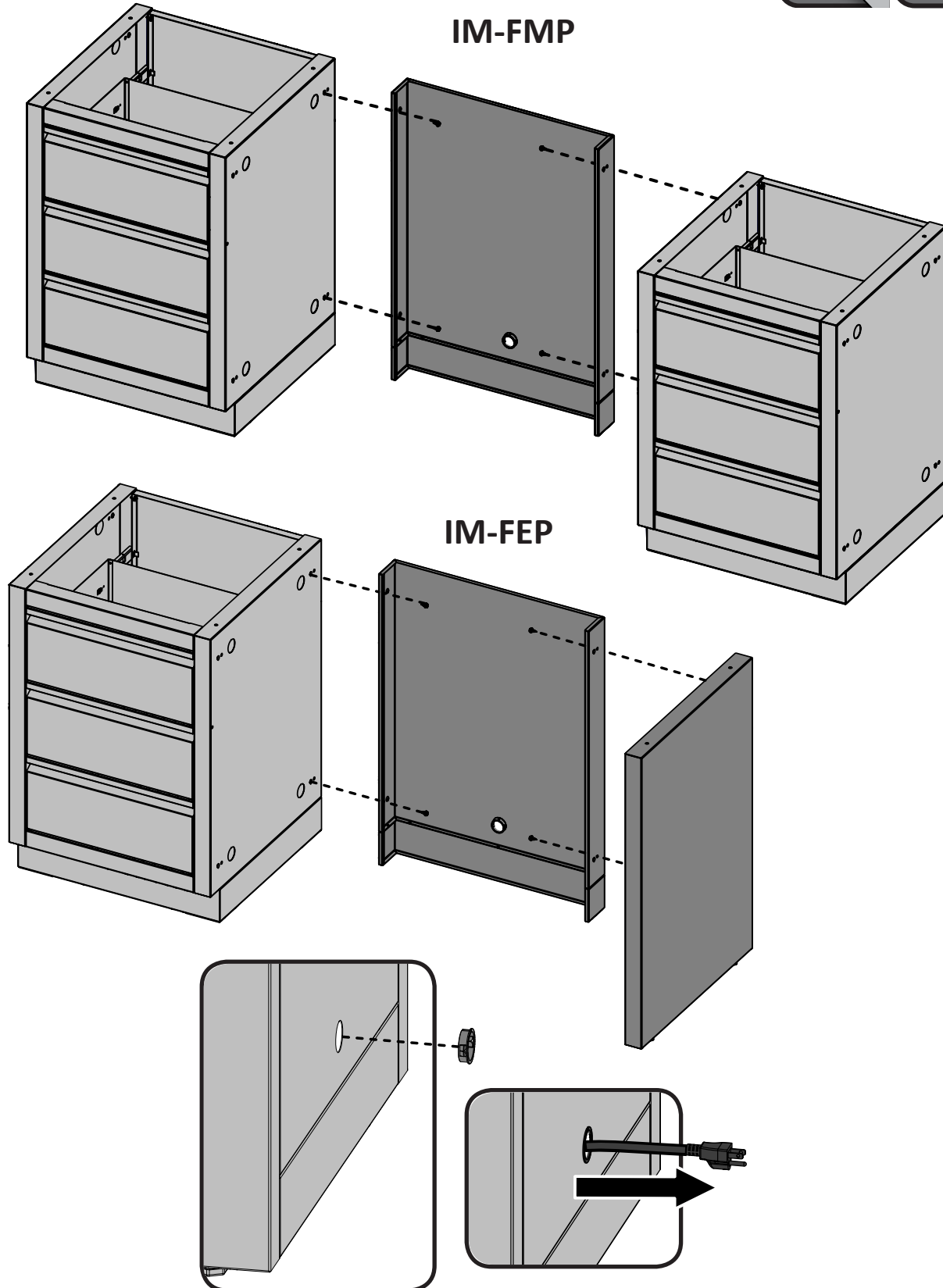
N570-0086



# IM-FMP/FEP PANNEAU D'ATTACHE DE REFRIGERATEUR



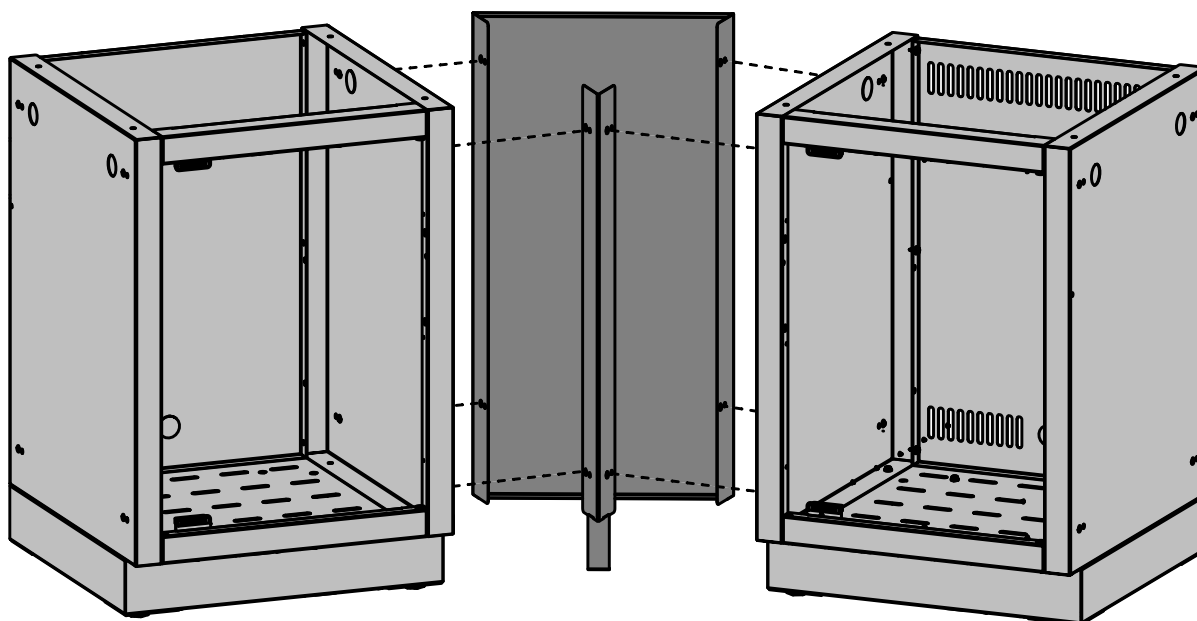
FR



## IM-45T RACCORDEMENT DE CABINETS À 45 DEGRÉS



N570-0086

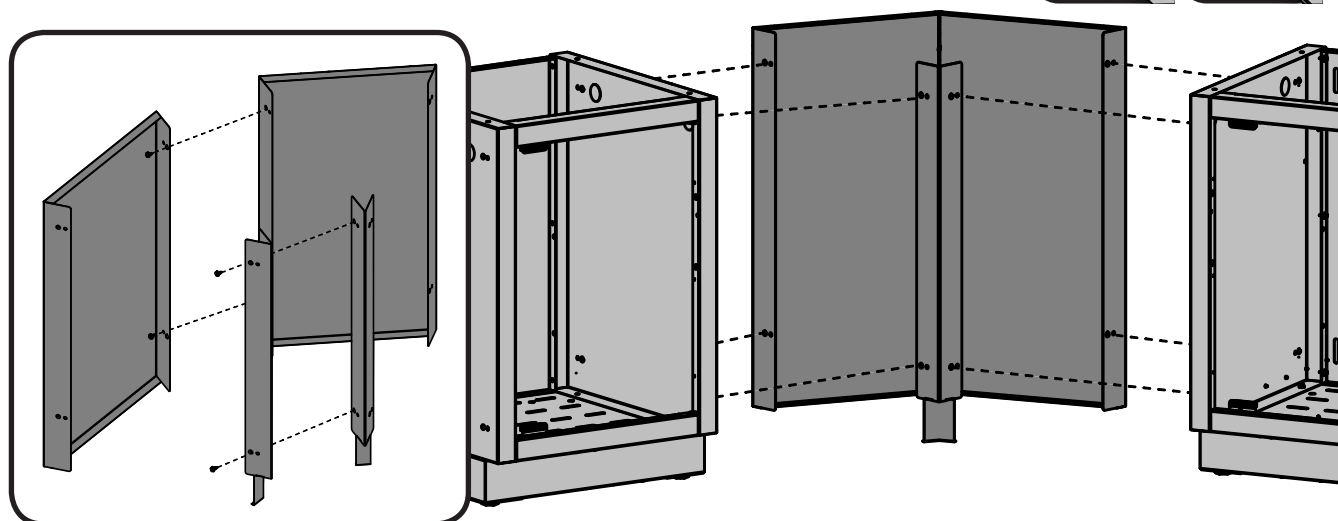


FR

## IM-45T X 2 RACCORDEMENT DE CABINETS À 90 DEGRÉS



N570-0086



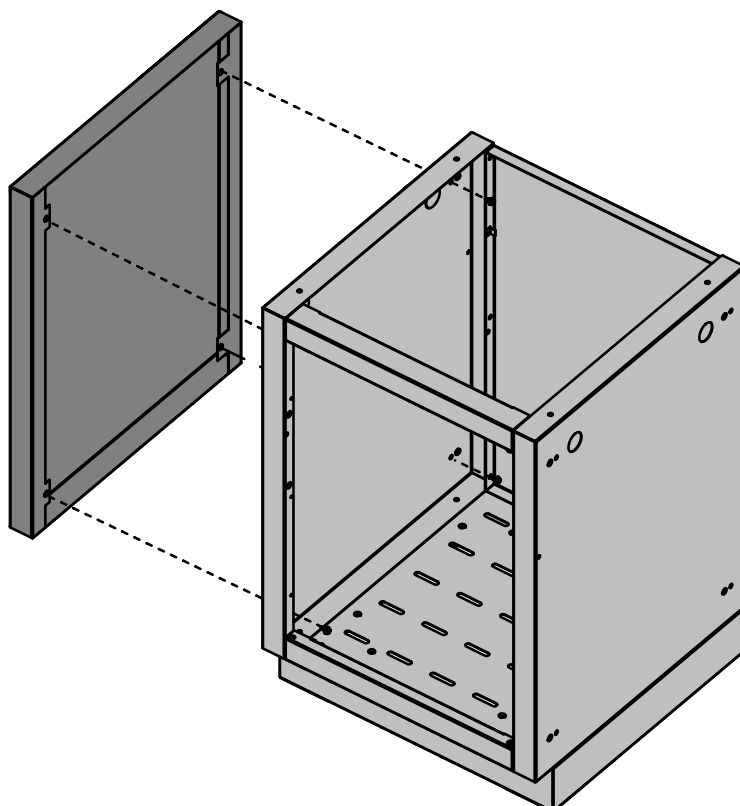
# IM-CEP ENSEMBLE DE PANNEAU D'EXTRÉMITÉ



N570-0086



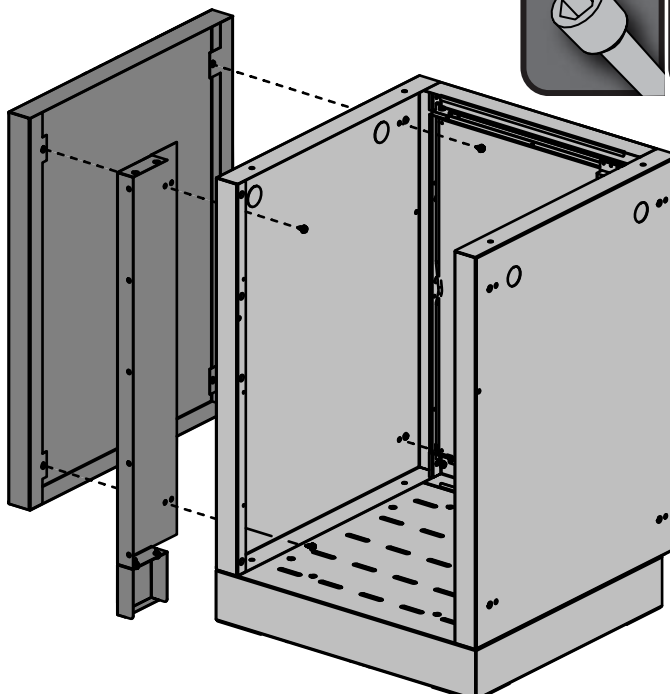
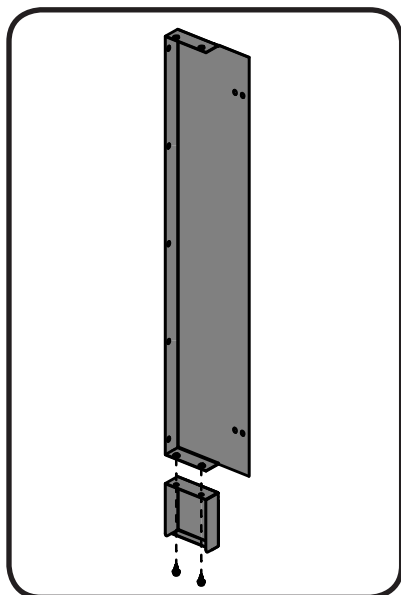
FR



# IM-CEP / IM-WSF ENSEMBLE DE PANNEAU D'EXTRÉMITÉ



N570-0086

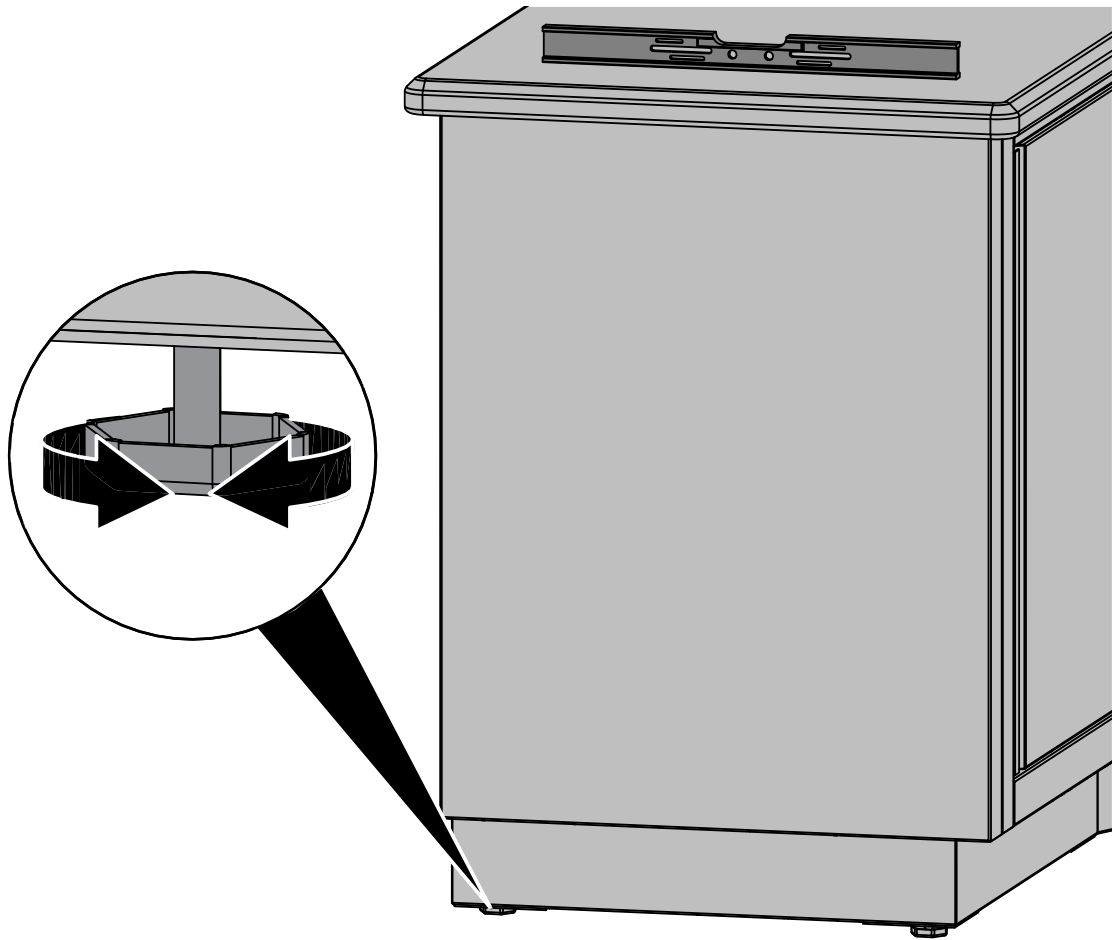


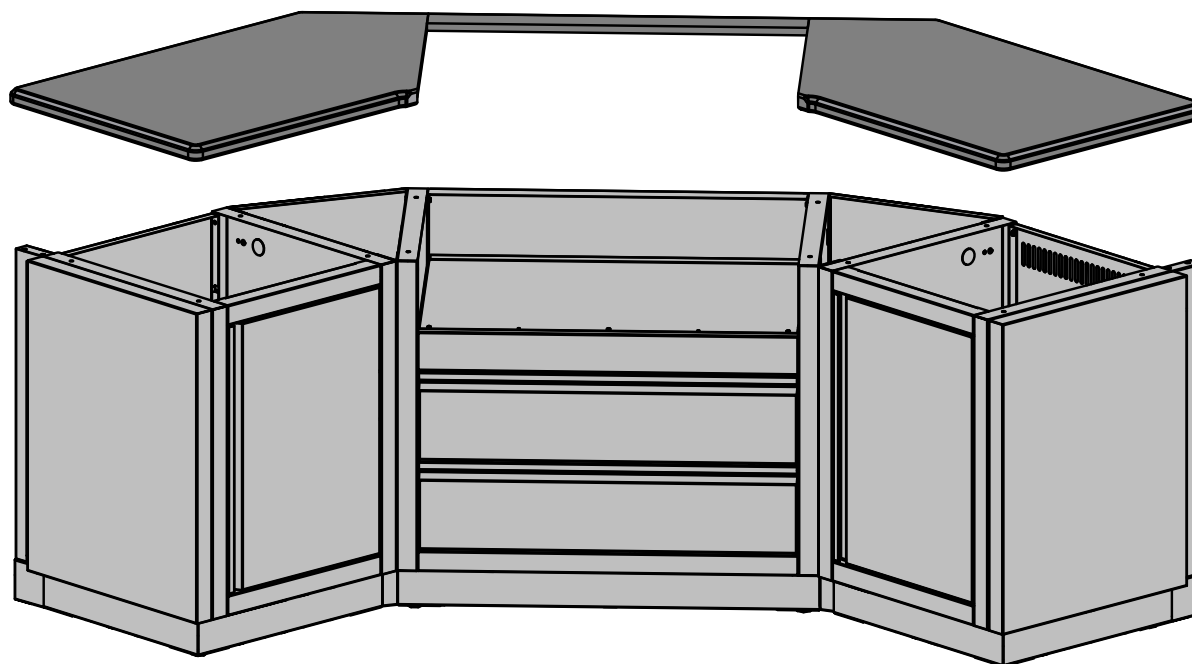
ILLUSTRÉ SANS LE PANNEAU ARRIÈRE



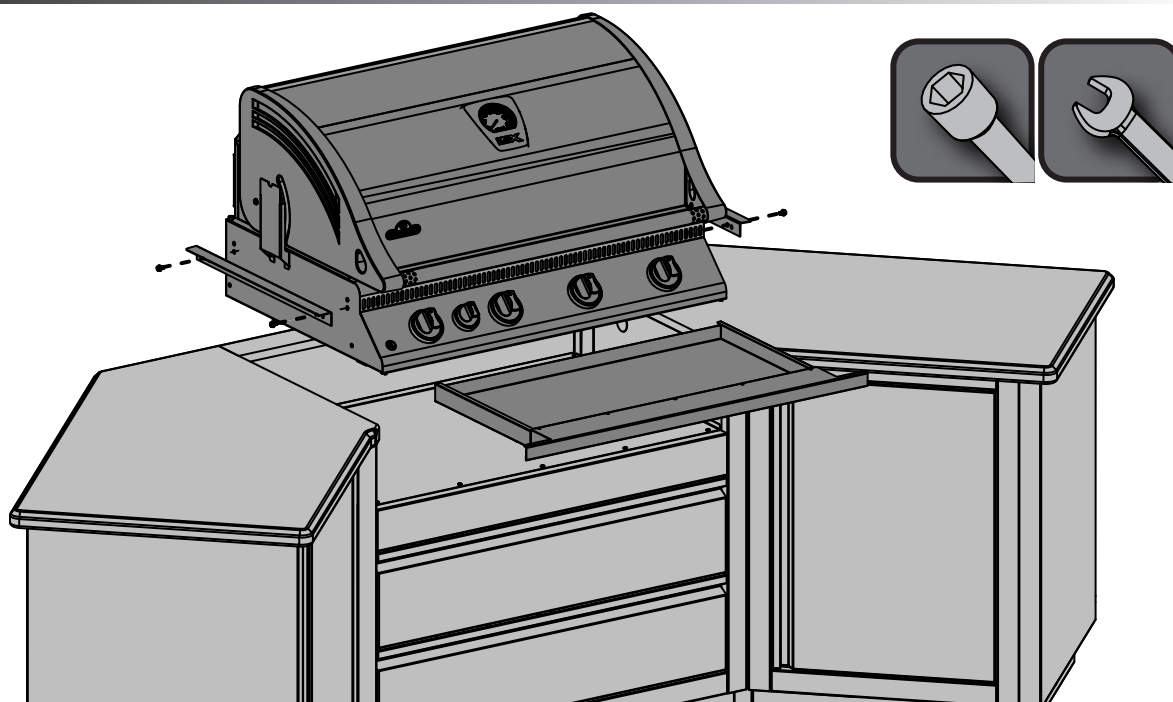
# MISE DE NIVEAU DU CABINET

FR





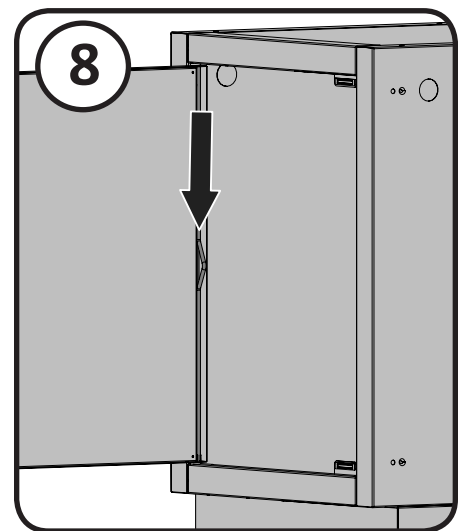
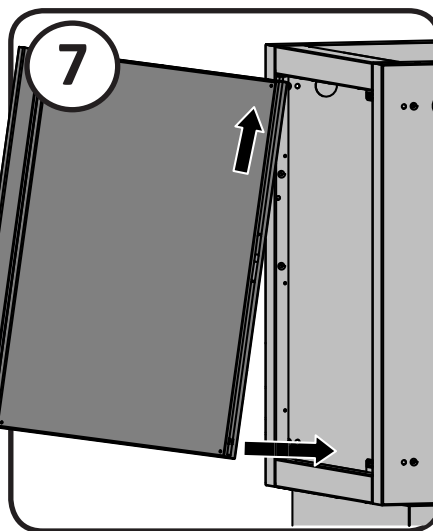
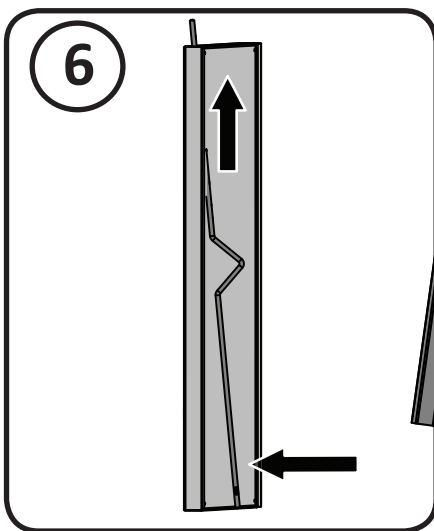
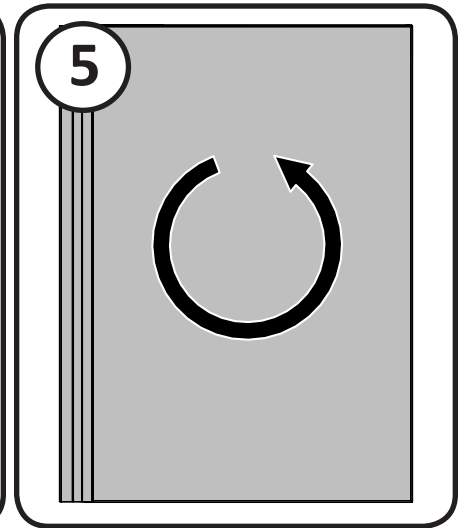
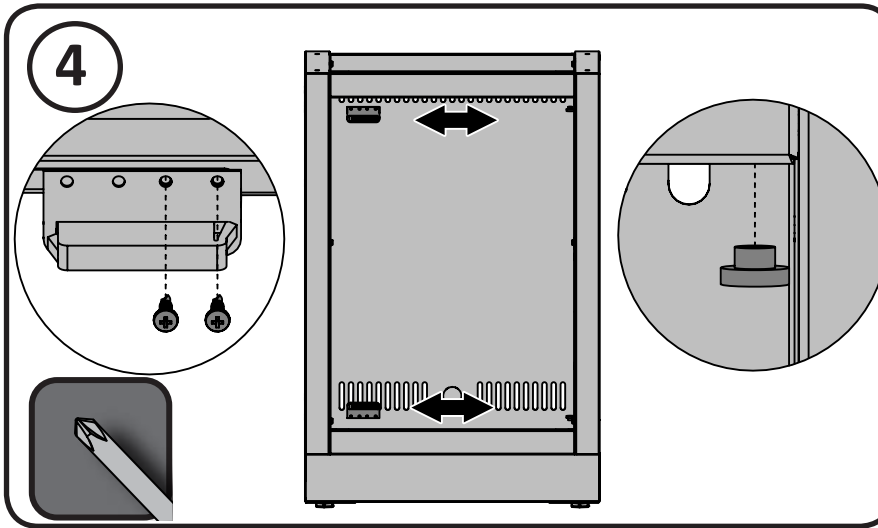
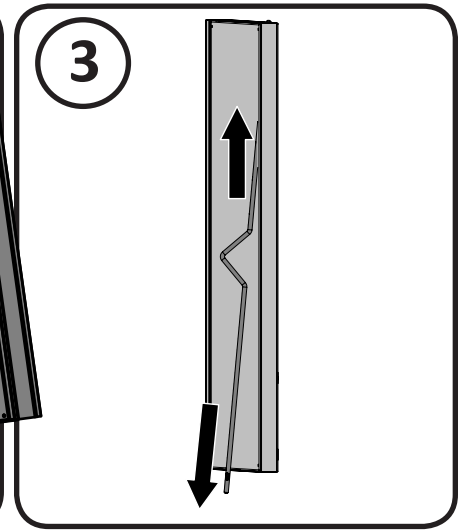
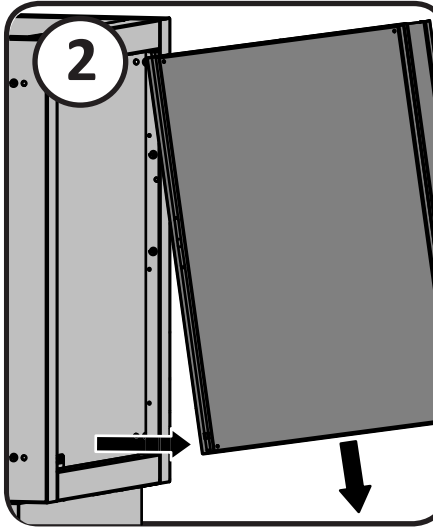
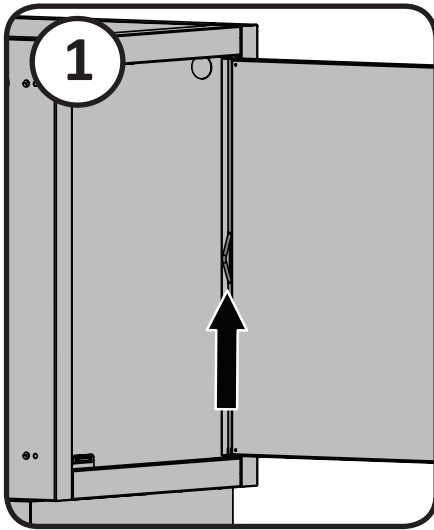
**FIXEZ LE COMPTOIR EN RESPECTANT LES DIRECTIVES DU FABRICANT. DES TROUS ONT ÉTÉ MÉNAGÉS DANS LE REBORD SUPÉRIEUR DES PANNEAUX LATÉRAUX POUR Y INSÉRER LES PIÈCES DE FIXATION.**



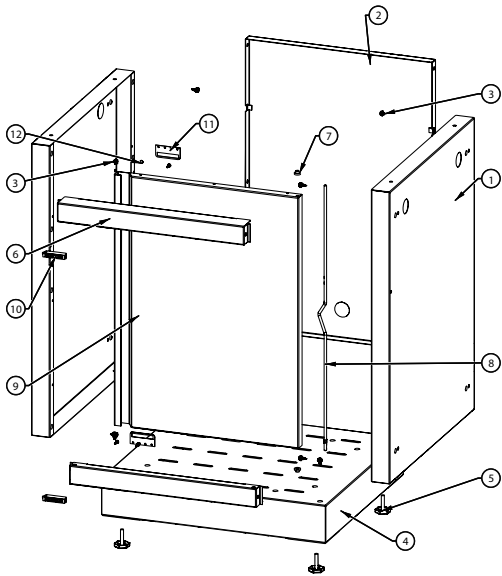
**POUR DES DIRECTIVES COMPLÈTES, CONSULTEZ LE MANUEL QUI ACCOMPAGNE LE GRIL ENCASTRÉ. LA TUYAUTERIE POUR LE GAZ DOIT ÊTRE INSTALLÉE PAR UN INSTALLATEUR POUR LE GAZ AUTORISÉ.**

# PORTE INVERSE

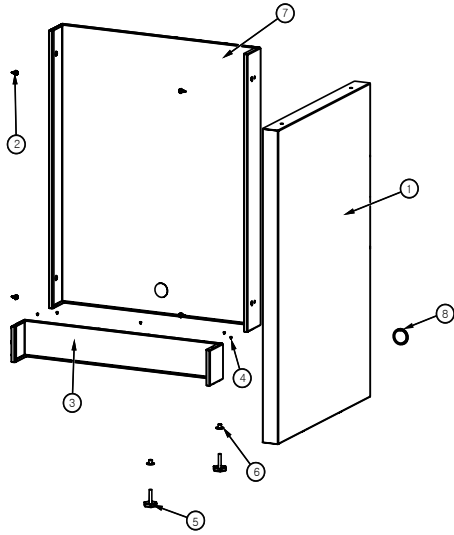
FR



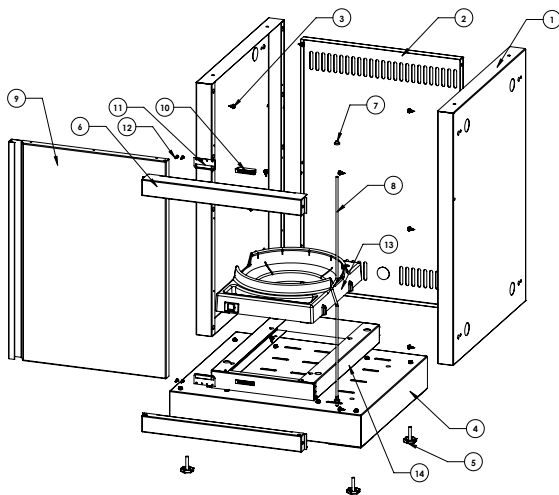
FR



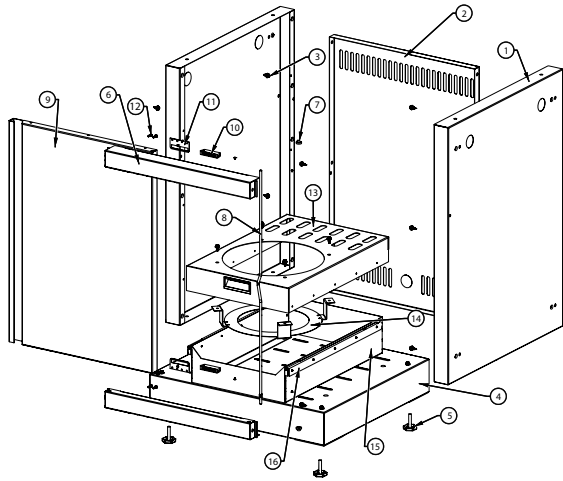
#	Part #	Description	IM-UDC
1	N475-0223-CN1HR	side panel / panneau avant	x
2	N475-0224-CN1HR	back panel / panneau arrière	x
3	N570-0086	#14 x 1/2" screw / vis #14 x 1/2"	x
4	N010-0575-CN1HR	bottom shelf assembly / ensemble de tablette inférieur	x
5	N570-0031	leveling foot / mise à niveau du pied	x
6	N525-0018-CN1HR	top/bottom rail / support superior/inférieur	x
7	N105-0011	door bushing / bagues de porte	x
8	N555-0023	door pivot rod / tige-pivot de porte	x
9	N010-0590	door assembly / ensemble de porte	x
10	N430-0002	magnetic catch / loquet magnétique	x
11	N080-0232-CN1HR	door magnet bracket / support de magnétique	x
12	N570-0013	#8 x 5/8" screw / vis #8 x 5/8"	x



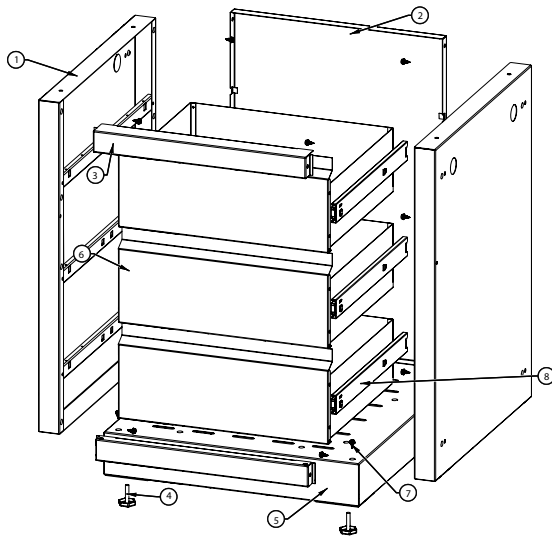
#	Part #		IM-FMP	IM-FEP
1	N475-0404-CN1HR	side panel / panneau avant		x
2	N570-0086	#14 x 1/2" screw / vis #14 x 1/2"	x	x
3	N525-0055-CN1HR	bottom rail / support inférieur	x	x
4	N545-0005	rivet / rivet	x	x
5	N570-0031	leveling foot / mise à niveau de pied		x
6	N450-0046	nut / écrou		x
7	N475-0403-CN1HR	back panel / panneau arrière	x	x
8	N105-0012	1.5" bushing / bagues de porte 1.5"	x	x



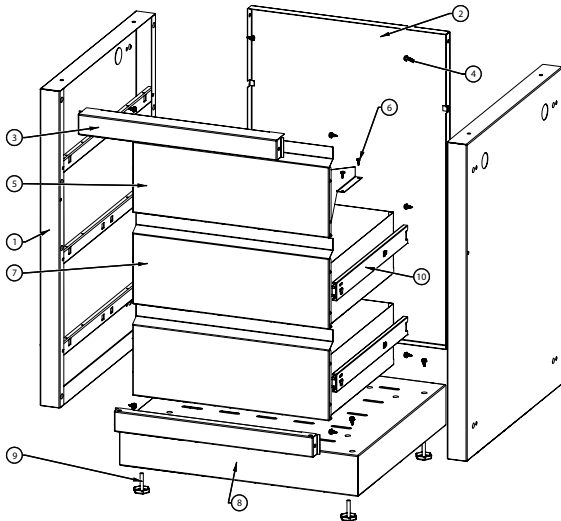
#	Part #	Description	IM-UTC
1	N475-0223-CN1HR	side panel / panneau avant	x
2	N475-0237-CN1HR	back panel / panneau arrière	x
3	N570-0086	screw , #14 x 1/2" / vis #14 x 1/2"	x
4	N010-0575-CN1HR	assembly, bottom shelf / ensemble de tablette inférieur	x
5	N570-0031	leveling foot / mise à niveau du pied	x
6	N525-0018-CN1HR	top/bottom rail / support superior/inférieur	x
7	N105-0011	door bushing / bagues de porte	x
	N105-0012	1.5" bushing / bagues de porte 1.5"	x
8	N555-0023	door pivot rod / tige-pivot de porte	x
9	N010-0590	door assembly / ensemble de porte	x
10	N430-0002	magnetic catch / loquet magnétique	x
11	N080-0232-CN1HR	door magnet bracket / support de magnétique	x
12	N570-0013	#8 x 5/8" screw / vis #8 x 5/8"	x
13	N010-0938	tank tray / plateau de réservoir	x
14	N010-0995-CN1HR	tank tray support / support de bac à réservoir	x



#	Part #	Description	IM-UTC-CE
1	N475-0223-CN1HR	side panel / panneau avant	x
2	N475-0237-CN1HR	back panel / panneau arrière	x
3	N570-0086	screw , #14 x 1/2" / vis #14 x 1/2"	x
4	N010-0575-CN1HR	assembly, bottom shelf / ensemble de tablette inférieur	x
5	N570-0031	leveling foot / mise à niveau du pied	x
6	N525-0018-CN1HR	top/bottom rail / support superior/inférieur	x
7	N105-0011	door bushing / bagues de porte	x
	N105-0012	1.5" bushing / bagues de porte 1.5"	x
8	N555-0023	door pivot rod / tige-pivot de porte	x
9	N010-0590	door assembly / ensemble de porte	x
	N325-0016	door handle / poignée de porte	x
10	N430-0002	magnetic catch / loquet magnétique	x
11	N080-0232-CN1HR	door magnet bracket / support de magnétique	x
12	N570-0013	#8 x 5/8" screw / vis #8 x 5/8"	x
13	N710-0100-CN1HR	tank drawer CE / CE compartiment à bonbonne	x
14	N010-0360-CN1HR	tank support ring / support du bonbonne	x
15	N080-0225-CN1HR	tank drawer support bracket / compartiment à bonbonne support	x
16	N610-0004	drawer slide / glisser tiroir	x

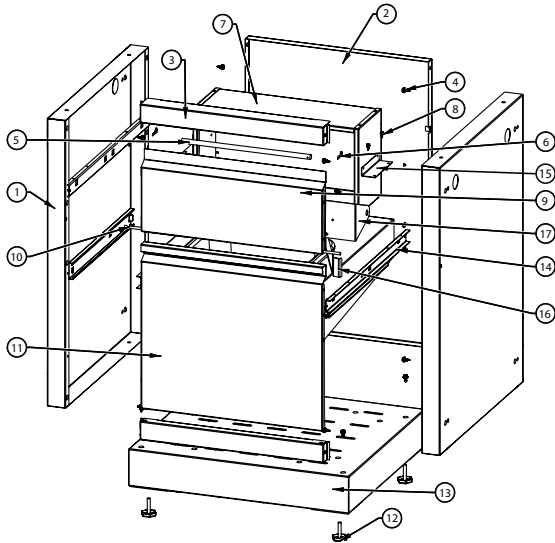


#	Part #	Description	IM-3DC
1	N010-0678-CN	side panel / panneau avant	x
2	N475-0224-CN1HR	back panel / panneau arrière	x
3	N525-0018-CN1HR	top/bottom rail / support superior/inférieur	x
4	N570-0031	leveling foot / mise à niveau du pied	x
5	N010-0575-CN1HR	assembly, bottom shelf / ensemble de tablette inférieur	x
6	N010-0677-CN	drawer assembly / assemblage du tiroir	x
7	N570-0086	#14 x 1/2" screw / vis #14 x 1/2"	x
8	N610-0010	drawer slide / glisser tiroir	x

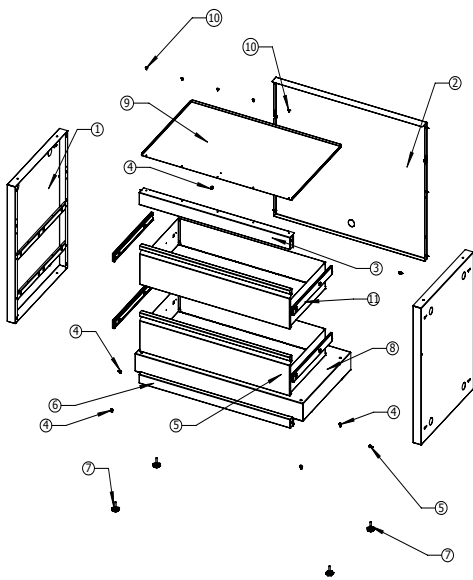


#	Part #	Description	IM-2DC
1	N010-0678-CN	side panel / panneau avant	x
2	N475-0224-CN1HR	back panel / panneau arrière	x
3	N525-0018-CN1HR	top/bottom rail / support superior/inférieur	x
4	N570-0086	#14 x 1/2" screw / vis #14 x 1/2"	x
5	N010-0574	false drawer front / avant faux de tiroir	x
6	N570-0008	#8 x 1/2" screw / vis #8 x 1/2"	x
7	N010-0677-CN	drawer assembly / assemblage du tiroir	x
8	N010-0575-CN1HR	bottom shelf assembly / ensemble de tablette inférieur	x
9	N570-0031	leveling foot / mise à niveau du pied	x
10	N610-0010	drawer slide / glisser tiroir	x

FR



#	Part #	Description	IM-WDC
1	N010-0678-CN	side panel / panneau avant	x
2	N475-0224-CN1HR	back panel / panneau arrière	x
3	N525-0018-CN1HR	top/bottom rail / support superior/inferieur	x
4	N570-0086	#14 x 1/2" screw / vis #14 x 1/2"	x
5	N555-0032	paper towel rod / tige pour essuie-tout	x
6	N485-0012	cotter pin / vis	x
7	N010-0576-CN1HR	paper towel housing assembly / assemblage de la porte du compartiment à essuie-tout	x
8	N570-0008	#8 x 1/2" screw / vis #8 x 1/2"	x
9	N010-0578	paper towel door assembly / assemblage de compartiment pour essuie-tout	x
10	N555-0031	pivot rod / tige-pivot	x
11	N010-0679-CN	drawer assembly, trash can / assemblage du tiroir, panier à déchets	x
12	N570-0031	leveling foot / mise à niveau du pied	x
13	N010-0575-CN1HR	assembly, bottom shelf / ensemble de tablette inférieur	x
14	N610-0010	drawer slide / glisser tiroir	x
15	N080-0228-CN1HR	paper towel housing bracket / support tiroir de serviette en papier	x
16	N080-0230-CN1HR	door stop bracket / support cale-porte	x
17	N160-0018	paper towel bracket / support de serviette en papier	x
	N185-0004	waste bin / poubelle	x



#	605	730	Description
1	N010-0678-CN	N010-0678-CN	side panel / panneau avant
2	N475-0392-CN1HR	N475-0233-CN1HR	back panel / panneau arrière
3	N525-0020-CN1HR	N525-0021-CN1HR	top rail / support superior
4	N570-0086	N570-0086	#14 x 1/2" screw / vis #14 x 1/2"
5	N010-0682-CN	N010-0683-CN	drawer assembly / assemblage du tiroir
6	N525-0023-CN1HR	N525-0024-CN1HR	bottom rail / support inférieur
7	N570-0031	N570-0031	leveling foot / mise à niveau du pied
8	N010-0581-CN1HR	N010-0583-CN1HR	bottom shelf / tablette inférieur
9	N585-0051-CN1HR	N585-0052-CN1HR	drawer dripshield / écran anti-égouttement pour tiroir
10	N570-0013	N570-0013	#8 x 5/8" screw / vis #14 x 5/8"
11	N610-0010	N610-0010	drawer slide / glisser tiroir
	N105-0012	N105-0012	1.5" bushing / bagues de porte 1.5"
	N485-0007	N485-0007	black plug / bouchon noir

#	245/300	485-1	500	Description
1	N010-0678-CN	N010-0678CN	N010-0678-CN	side panel left / panneau avant gauche
2	N475-0224-CN1HR	N475-0302-CN1HR	N475-0302-CN1HR	back panel / panneau arrière
3	N525-0031-CN1HR	N525-0042-CN1HR	N525-0041-CN1HR	top rail / support superior
4	N570-0086	N570-0086	N570-0086	#14 x 1/2" screw / vis #14 x 1/2"
5	N010-0677CN	N010-0745-CN	N010-0745-CN	drawer assembly / assemblage du tiroir
6	N525-0018-CN1HR	N525-0040-CN1HR	N525-0040-CN1HR	bottom rail / support inférieur
7	N570-0031	N570-0031	N570-0031	leveling foot / mise à niveau du pied
8	N010-0575-CN1HR	N010-0744-CN1HR	N010-0744-CN1HR	bottom shelf / tablette inférieur
9	N585-0062-CN1HR	N585-0085-CN1HR	N585-0084-CN1HR	drawer dripshield / écran anti-égouttement pour tiroir
10	N570-0013	N570-0013	N570-0013	#8 x 1/2" screw / vis #8 x 1/2"
	N610-0010	N610-0010	N610-0010	slide, drawer / glisser, tiroir
	N485-0007	N485-0007	N485-0007	black plug / bouchon noir
	N105-0012	N105-0012	N105-0012	1.5" bushing / bagues de porte 1.5"
	N710-0066			dripan, replaces pan included with BI300 / tiroir d'égouttement, remplace le tiroir inclus avec le BI300

**GARDEZ VOTRE REÇU COMME PREUVE D'ACHAT POUR VALIDER VOTRE**

# Commande de pièces de rechange

## Information sur la garantie

MODÈLE : \_\_\_\_\_

DATE D'ACHAT : \_\_\_\_\_

NUMÉRO DE SÉRIE : \_\_\_\_\_

FR

### ***(Inscrivez l'information ici pour y avoir accès facilement.)***

Pour commander des pièces de rechange ou faire une réclamation sous garantie, communiquez avec le détaillant Napoléon où le produit a été acheté.

Avant de contacter le détaillant Napoléon, consultez le site Web des grils Napoléon pour obtenir plus de renseignements sur le nettoyage, l'entretien, le dépannage et les pièces à [francais.napoleongrills.com](http://francais.napoleongrills.com).

Pour qu'une réclamation soit traitée, l'information suivante est nécessaire :

1. Modèle et numéro de série de l'appareil.
2. Numéro de la pièce et description.
3. Description concise du problème (« cassé » n'est pas suffisant).
4. Preuve d'achat (copie de la facture).

Dans certains cas, Napoléon peut vous demander de retourner la pièce à des fins d'inspection avant de fournir une pièce de rechange.

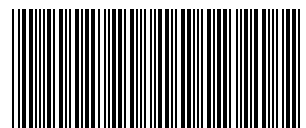
Avant de contacter le détaillant Napoléon, veuillez noter que la garantie ne couvre pas les éléments suivants :

- coûts de transport, de courtage et frais d'exportation;
- coûts de main-d'oeuvre pour l'enlèvement et l'installation de la pièce;
- coûts des appels de service pour diagnostiquer le problème;
- décoloration des pièces en acier inoxydable;
- casse des pièces causée par un manque d'entretien et de nettoyage, ou par l'utilisation de nettoyeurs inappropriés (nettoyant à fourneau ou autres produits chimiques agressifs).



Napoleon products are protected by one or more U.S. and Canadian and/or foreign patents or patents pending.

Les produits de Napoléon sont protégés par un ou plusieurs brevets américains, canadiens et (ou) étrangers ou par des brevets en instance.



N415-0416